

**STANDARD UNDERWATER LED PROJECTOR**  
**PROJECTEUR STANDARD SOUS-MARIN À VOYANTS LUMINEUX**  
**PROYECTOR STANDARD SUBACUÁTICO DE LEDS**  
**PROIETTORE STANDARD SUBACQUEO A LED**  
**STANDARD AUSFÜHRUNG UNTERWASSER-SCHEINWERFER MIT LED-ANZEIGE**  
**PROJECTOR SUBACQUEO STANDARD DE LEDS**



**CE**

**INSTALLATION AND MAINTENANCE MANUAL**  
**MANUEL D'INSTALLATION ET D'ENTRETIEN**  
**MANUAL DE INSTALACIÓN Y MANTENIMIENTO**  
**MANUALE DI INSTALAZIONE E MANUTENZIONE**  
**EINBAU-UND BETRIEBSANLEITUNG**  
**INSTRUÇÕES E MANUTENÇÃO**

**ASTRALPOOL**



**IMPORTANT: The instruction manual you are holding includes essential information on the safety measures to be implemented for installation and start-up. Therefore, the installer as well as the user must read the instructions before beginning installation and start-up.**

**Keep this manual for future reference.**

To achieve optimum performance of the Standard underwater led projector, follow the instructions indicated below:

## 1. VERIFY THE CONTENTS OF THE PACKING:

The following accessories are included inside the box:

### Concrete pool floodlamp

Housing body  
Floodlamp unit

### Prefabricated pool floodlamp

Housing body  
2 watertight joints  
Clamp  
Floodlamp unit  
Bag of screws: 2 DIN 7981 A2 4,8x16 screws  
16 DIN 966 A2 M-6x24 (1) screws  
16 DIN 7982 5,5x25 (2) screws

- (1) For floodlamps with metric pitch housing
- (2) For floodlamps with self-threading housing

## 2. GENERAL CHARACTERISTICS:

This floodlamp has been designed to be used fully submerged underwater in fresh water swimming pools. It is a Class III electric apparatus with very low safety voltage (12 V with alternating current).

The floodlamp complies with IPX8 degree of protection (resistance to penetration of dust, solid bodies and humidity) at a nominal immersion depth of 2 m.

This floodlamp complies with international safety standards for lights, especially the EN 60598-2-18 standard. LIGHTS PART 2: SPECIFIC REQUIREMENTS SECTION 18 LIGHTS FOR SWIMMING POOLS AND SIMILAR APPLICATIONS.

The mains supply to the light should have 30 mA overload protection. The power supply transformer of these projectors must be an insulated safety transformer with separate spooling.

The manufacturer is not responsible in any circumstances for assembly, installation or start-up of any electric components which have been inserted or handled at locations other than its own premises.

## 3. INSTALLATION:

- In order to clearly light a pool it is recommended to install a floodlamp every 20 m<sup>2</sup> of water surface. In swimming pools which are especially deep, a floodlamp is required for every 25 m<sup>2</sup> of water volume.
- In order to prevent glare, the floodlamps should be installed so that they face away from the residence or usual view of the swimming pool.
- In the event that lighting is used in training or competition pools, the floodlamps should be installed on the sides to prevent glare on the swimmers.
- To avoid the need to empty the pool to change the lamp, we recommend that the floodlamp be installed in areas which are accessible from the upper edge of the pool.
- **In installations where you want to replace a conventional spotlight by a LED projector, using the existing wiring, it is strongly recommended to use underwater resin splicing. It is not recommended to use silicone to try to seal the connection point of the wires. The spotlight should not be handled under any circumstances as this would lead to losing the guarantee.**

Prior to installation verify that the gland seal (no. 28) has been fully tightened.

The floodlamp should be placed on the wall of the pool at approximately 400-700 mm from the water surface (Fig. 1).

The method of fastening the housing to the pool wall varies depending on whether it is a floodlamp for concrete pools or prefabricated pools.

### Concrete swimming pool

To install a floodlamp in a concrete swimming pool the housing (no. 18) should be fixed in the wall of the swimming pool (Fig. 2). Make sure that the cable outlet of the housing remains on the upper part,

### Prefabricated swimming pool

To install a floodlamp in prefabricated swimming pool make a circular hole with a diameter of 240 mm (Fig. 2).

Install the housing (N° 18) and one of the adhesive joints (N° 19) on the outer side of the pool. Install the other adhesive joint on the inner side and use two screws DIN 7981 4,8x16 (N° 22) to secure the three components. (Fig. 3). Make sure that the cable outlet of the housing remains on the upper part.

To install the clamp (N° 21) on the inner side of the swimming pool, make sure that the heads of the screws DIN 7981 4,8x16, which have been installed previously (N° 22), coincide with the area reserved for them on the back part of the clamp.

Secure the clamp (N° 21) to the pool wall using 16 screws:

DIN 966 M-6 x 24 point (N° 22) if the housing is for screws with metric pitch (Fig. 4).

DIN 7982 5.5 x 25 (N° 22) if the housing is for self-threading screws (Fig. 4).

#### 4. ASSEMBLY:

After installation of the housing and the clamp, if it is a prefabricated swimming pool, assemble the floodlamp. To connect the floodlamp to the electric power supply insert the cable through the gland seal nut (25). Tighten the gland seal nut until you can verify that the cable will not yield when you pull on it with your hand. Take the precaution of leaving 1.5 m of cable wound on the floodlamp housing (N° 18) in order to be able to remove the floodlamp to the edge of the pool in the event that lamp replacement or handling is required. (Fig. 5). Insert the entire floodlamp assembly in the housing (Fig 6). In order to obtain good pool lighting it is important that the anagram of the decorative ring (N° 1) is located on the upper part (Fig 7). Screw in the two M-6 x 80 screws (N° 2) until the fastening dog is secured in the inner walls of the housing (Fig. 8)

#### 5. MAINTENANCE:

This projector does not require any type of maintenance. If the projector does not work properly, please contact our customer attention department.

It is forbidden to handle the inside of the projector. All projectors which have been handled will lose their guarantee.

If you wish to remove the projector from the swimming pool, it must be done by suitably qualified technician.

To remove the floodlamp to the edge of the swimming pool (Fig. 5) loosen the two DIN M-6 x 80 screws (N° 2) until the fastening dog yields sufficiently so that the floodlamp unit can be separated from the housing.

##### Attention:

- Before any handling ensure that there is NO voltage supplied to the floodlamp.

#### 6. CONTROL SYSTEMS OF THE LED PROJECTORS:

The LED projectors can be controlled in two different ways: either by a normally closed pushbutton or by means of the modulator receiver and/or remote control

In both cases, you should make sure that the voltage received by the lamp is never more than 12V.

The projector should only be operated underwater and anchored to the vertical walls of the pool. The spotlight is supplied with heat protection, which in the event of excess temperature reduces the lighting level to avoid overheating.

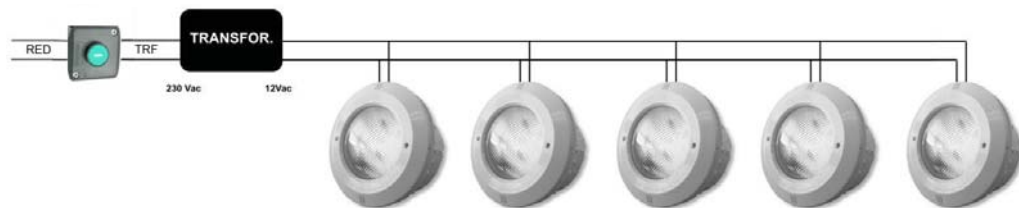
##### 6.1. Colorplus ECO: pushbutton control

The system has **14 operation modes: 7 set colours and 7 sequences of different colours** (see section 6.1.2.) The colour or sequence is changed by a quick press of the pushbutton. The projector/s is/are placed in white if the pushbutton is pressed for longer.

##### 6.1.1. Electrical connection diagram

The Color Plus Eco system is composed of the projector/s, the transformer and the normally closed (NC) pushbutton.

The transformer must be able to supply 45VA for each led spotlight connected. For example, if you want to control 6 spotlights, you must connect them in parallel to a transformer of at least 270VA. The pushbutton must be able to withhold the power consumed by the number of projectors installed.



##### 6.1.2. Operation modes

The Colorplus ECO unit enables different light scenarios to be created inside the swimming pool with two operation possibilities:

**Set colour:** Selection of one set colour out of seven possibilities.

COLOUR N°	% RED	% BLUE	% GREEN	COLOUR
1	100	100	100	White
2	100	0	0	Red
3	0	100	0	Blue
4	0	0	100	Green
5	100	100	0	Purple
6	0	100	100	Cyan
7	100	0	100	Yellow

**Automatic sequence of colours:** Selection of nine colour sequence programmes. Each programme is defined by the lighting time of each colour and the transition time from one colour to another according to the following table:

SEQUENCE	ORDER OF COLOURS						COLOUR TIMING (SEC.)	BLENDING TIMING (SEC.)
1	Red	Blue	Green	Purple	Cyan	Yellow	2	2
2	Red	Green	Cyan	Blue	Purple	Yellow	4	4
3	Purple	Cyan	Yellow	-	-	-	4	4
4	Red	Blue	Green	-	-	-	8	8
5	Purple	Cyan	Yellow	-	-	-	18	18
6	Yellow	Purple	Cyan	-	-	-	0,5	0,5
7	Green	Red	Blue	-	-	-	0,5	0,5

The colour or sequence is changed by pressing the pushbutton. The colour and sequence cycle is rotary. For example, if you are in colour 5, by pressing once, you will reach colour 6. If you press once again, you will go to sequence 7. If you are in sequence 7, press once and you will get to colour 2, which is Red.

Colour 1, corresponds to white and is reached by one long press.

## 6.2. COLOR PLUS TOP: Receiver-Modulator control and/or Remote control

The system has **21 operation modes: 12 set colours and 9 sequences of different colours** (see section 6.2.2.).

The Receiver-Modulator controls switching the spotlights on and off, changes of colour and sequences and switching off timing.

If you have a remote control, apart from the receiver-modulator operations, you can also switch colours of a sequence on and off and select the switching off time.

### 6.2.1. Electrical connection diagram

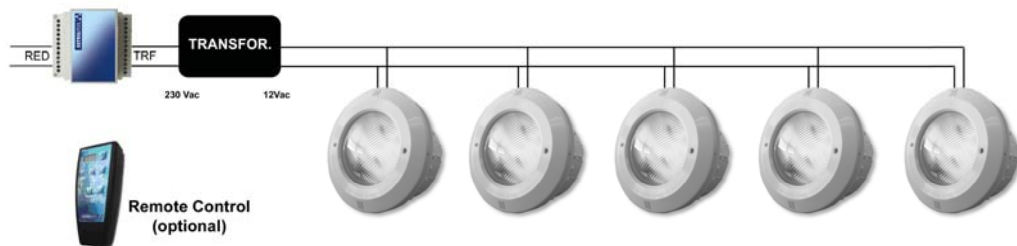
For correct installation, you will need the Receiver-Modulator, the transformer and finally the leds lamp. As an option, this system can be controlled by Remote Control. For more information on the installation of the Receiver-Modulator, see point 6.2.3. and section 6.2.4. includes information on the Remote Control.

The Receiver-Modulator is connected to the 230 Vac mains by means of two terminals indicated MAINS, and to the primary input of the transformer (230 Vac) by means of the terminals indicated TRF (See attached diagram).

Each Receiver-Modulator, it can control until a maximum of five spotlights.

The transformer must have the capacity to supply 45 VA to each led spotlight connected. For example, if you want to control 5 lamps, they should be connected in parallel to a transformer of at least 270VA.

Each Receiver-Modulator can control up to a maximum of 15 LED spotlights.



Once the unit is connected, proceed as follows to start-up the projector for the first time:

- Switch on the unit by activating the 230 Vac. at the input of the Receiver-Modulator, which will automatically syntonize with the transformer. The green led of the Receiver-Modulator will flash every 2 seconds and the spotlight will remain off.
- **Switching on the Remote control**
  - Keep the OFF key pressed of the Receiver-Modulator. The green led will flash quickly indicating that it is in the Instruction mode.
  - Switch on the Remote Control and press any button. If you have several Remote Controls, repeat the operation so that the Receiver-Modulator acknowledges them all. There can be a maximum of eight.

### 6.2.2 Types of lighting

The **Remote Control – Receiver/Modulator – Transformer – Led Projector unit** enables you to create different lighting settings inside the pool with two operation options:

**Set colour:** Selection of a set colour among twelve possibilities.

COLOUR N°	% RED	% BLUE	% GREEN	COLOUR
1	100	0	0	Red
2	0	100	0	Blue
3	0	0	100	Green
4	100	50	0	Magenta
5	100	0	50	Light yellow
6	0	100	50	Bluish cyan
7	0	50	100	Greenish cyan
8	100	100	0	Purple
9	0	100	100	Cyan
10	100	0	100	Yellow
11	100	100	50	Bluish white
12	100	50	100	Greenish white

**Automatic sequence of colours:** Selection of nine colour sequence programmes. Each programme is defined by the lighting time of each colour and the transition time from one colour to another according to the following table:

SEQUENCE	COLOUR TIMING (SEC.)	BLENDING TIMING (SEC.)
1	4	1
2	8	8
3	15	4
4	15	15
5	30	8
6	30	30
7	60	15
8	60	60
9	120	60

For example, programme 5 indicates that each colour will stay for 30 seconds, out of which 22 seconds will be with one set colour and the remaining 8 seconds are used in the transition to the following colour. Programme 8 indicates that the 60 seconds corresponding to each colour are used in the transition to the following colour.

The colours used in the sequence can be selected from the 12 set colours. Proceed as follows to include them in the sequence:

- Press the COLOUR key in the remote control. The colour number will be displayed preceded by the letter "C".
- Press the ACTIVATION key and the letter "C" will alternately switch from an upper case letter to a lower case letter.
- The colours activated with the upper case "C" will form part of the sequence.

NOTE: The spotlight is equipped with a heat protection device that, in the event of excess temperature, reduces the lighting level to prevent overheating.

### **6.2.3 Receiver-modulator (code 27818)**

Install the Receiver-Modulator where it is protected from corrosion, outside metal boxes and at a distance from metal pipes or electrical cables that can block the Radio Frequency signal from the remote control.

#### **Operation of the Pushbuttons:**

##### **OFF:**

- To turn off the spotlight.
- By keeping this button pressed (whether the spotlight is on or off), the receiver enters the "Instruction" mode, that starts-up the remote control by pressing once any key of the Control (See "Start-up").

##### **ON / COLOUR:**

- If the spotlight is off or in the SEQUENCE mode, the spotlight is turned on in the SET COLOUR mode (the activated colour will be the last set colour used).
- If the spotlight is already in the SET COLOUR mode, press the button to change the colour within the 12 different options.

##### **ON / SEQUENCE:**

- If the spotlight is off or in the SET COLOUR mode, the spotlight is switched on in the SEQUENCE mode. (The activated programme will be the last one used) (programme or colour changes in the sequence should be performed from the remote control).

##### **ON / TIMER:**

- If the spotlight is off, it is switched on in the last operation mode used and the TIMER function is activated, switching it off automatically after a time pre-set from the remote control. (duration changes of the timer must be performed from the remote control).
- If the spotlight is in SET COLOUR or SEQUENCE mode, the TIMER function is activated.



**NOTE: The Remote Control must remain off when the Receiver-Modulator pushbuttons are being used.**

**LED indicator:** By observing the green led of the Receiver-Modulator, you can determine the spotlight operation status:

- Led off: Power supply is disconnected.
- Flashing every 2 sec. Spotlights with leds off.
- Led on without flashing: Spotlight in SET COLOUR or SEQUENCE mode.
- Slow flashing: TIMER function on.
- Quick flashing: INSTRUCTION function
- Flashing for 2 sec. Receiving order from the remote control.

#### 6.2.4 Remote control (code 27817)

Technical specifications:	Operation frequency:	433 MHz
	Scope in the open:	50 m.
	Battery:	9 Vdc type 6LR61.

#### **Description of the keypad:**

**ON / OFF key:** If the remote control is off, this key switches it on sending the last order run. If it is on, the remote control is turned off without switching off the spotlight. It will switch off if no button is pressed for more than one minute.

**COL (COLOUR) key:** This key activates the SET COLOUR mode. A colour can be selected from the following table by pressing it successively:

The following will be displayed: C01, C02 .....C12 depending on the colour selected.

**SEC (SEQUENCE) key:** This activates the SEQUENCE MODE and enables you to select one of the nine different programmes available. Each programme is defined by a timer that determines the duration in which a colour is on, and another timer to determine the blending and transition time to the next colour.

The following will be displayed: P-1, P-2 .....P-9, depending on the programme selected.

**ACT (COLOUR ACTIVATOR) key:** This activates or deactivates the presence of the colours in the sequence. . A maximum of 12 colours can be used in the sequence, and if you do not want some of these colours to form part of the sequence, you can deactivate them using this key.

When a colour is activated, it is shown in the display with an upper case C, and if it is deactivated it appears with a lower case c. For example: C05 (activated) or c05 (disabled).

**TIMER (AUTOMATIC OFF) key:** This key activates the automatic off timer. Each time you press the key, the display shows the time before it is switched off (15, 30, 60, 90, 120 and 180 minutes). Once the automatic off function is activated, it can be deactivated by switching off the spotlight with the OFF key.

When the TIMER is activated, the spotlight switches off for a second to indicate that the timer is activated. It is used to switch off the spotlight. At the same time, the remote control will switch off.



**NOTE: The instructions of the remote control prevail over instructions of the Modulator-Receiver.**

## **7. SAFETY WARNINGS:**

- The persons who are In charge of assembly should have the required qualifications for this type of work.
- Avoid making contact with the electric voltage.
- Comply with the current standards regarding accident prevention.
- In this regard, the IEC 364-7-702 standards must be observed. WIRING IN BUILDINGS. SPECIAL WIRING. SWIMMINGPOOLS.
- Any operation related to the maintenance or replacement of parts should be performed with the floodlamp disconnected from the electric power system.
- Do not handle with wet feet.

## **8. ENVIRONMENTAL INFORMATION**

Processing of electrical and electronic equipment after their period of use (Only applicable in the E.U.)



Our goods are designed and manufactured using top quality materials and components, which are environment-friendly and which can be reused and recycled. This symbol, marked on the equipment or packaging, means that this equipment can not be processed as normal domestic waste. You should hand it in to the technician who installs the new equipment or at special collection points for electric and electronic equipment. Recycling this equipment does not cost you anything and by separating it from other waste, you are helping to prevent negative consequences for the environment and for people's health by avoiding incorrect handling. Help us to preserve the Environment. Thank you.

For detailed information on how to correctly dismantle this equipment for recycling, please contact us through [quality@sacopa.com](mailto:quality@sacopa.com)

# GUARANTEE CERTIFICATE

## 1. GENERAL TERMS

---

- 1.1. In accordance with these provisions, the seller guarantees that the product corresponding to this guarantee is in perfect condition at the time of delivery.
- 1.2. The Guarantee Term for the Product is two (2) years from the time it is delivered to the purchaser.
- 1.3. In the event of any defect in the Product that is notified by the purchaser to the seller during the Guarantee Term, the seller will be obliged to repair or replace the Product, at his own cost and wherever he deems suitable, unless this is impossible or unreasonable.
- 1.4. If it is not possible to repair or replace the Product, the purchaser may ask for a proportional reduction in the price or, if the defect is sufficiently significant, the termination of the sales contract.
- 1.5. The replaced or repaired parts under this guarantee, will not extend the guarantee period of the original Product, but will have a separate guarantee.
- 1.6. In order for this guarantee to come into effect, the purchaser must provide proof of the date of purchase and delivery of the Product.
- 1.7. If, after six months from the delivery of the Product to the purchaser, he notifies a defect in the Product, the purchaser must provide proof of the origin and existence of the alleged defect.
- 1.8. This Guarantee Certificate is issued without prejudice to the rights corresponding to consumers under national regulations.

## 2. INDIVIDUAL TERMS

---

- 2.1. This guarantee covers the following products and ranges:
- 2.2. For this guarantee to be effective, the purchaser must strictly follow the Manufacturer's instructions included in the documentation provided with the Product, in cases where it is applicable according to the range and model of the Product.
- 2.3. When a time schedule is specified for the replacement, maintenance or cleaning of certain parts or components of the Product, the guarantee will only be valid if this time schedule has been followed.
- 2.4. The manufacturer of the product offers the possibility of extending the guarantee from the third year up to the fifth or tenth year depending on the model as indicated below. This Guarantee Extension is governed by the following terms:

## 3. LIMITATIONS

---

- 3.1. This guarantee will only be applicable to sales made to consumers, understanding by "consumer", a person who purchases the Product for purposes not related to his professional activities.
- 3.2. The normal wear resulting from using the product is not guaranteed. With respect to expendable or consumable parts, components and/or materials, such as batteries, light bulbs, etc. the stipulations in the documentation provided with the Product, will apply.
- 3.3. The guarantee does not cover those cases when the Product; (I) has been handled incorrectly; (II) has been repaired, serviced or handled by non-authorized people or (III) has been repaired or serviced not using original parts.
- 3.4. In cases where the defect of the Product is a result of incorrect installation or start-up, this guarantee will only apply when said installation or start-up is included in the sales contract of the Product and has been conducted by the seller or under his responsibility.

**IMPORTANT:** le manuel d'instructions que vous avez entre les mains contient des informations de première importance sur les mesures de sécurité à adopter au moment de l'installation et de la mise en service. Il est par conséquent indispensable que l'installateur et l'utilisateur lisent attentivement les instructions avant de commencer le montage et la mise en marche. Conservez ce manuel en vue de futures consultations sur le fonctionnement de cet appareil.

Pour obtenir un rendement optimum du Projecteur standard sous-marin à voyants lumineux, il est recommandé de bien suivre les instructions données ci-dessous :

## 1. BIEN VÉRIFIER LE CONTENU DE L'EMBALLAGE :

Vous devez trouver à l'intérieur de la boîte les accessoires suivants :

### Projecteur pour piscine de béton

Corps de la niche  
Ensemble projecteur

### Projecteur pour piscine préfabriquée

Corps de la niche  
2 joints d'étanchéité  
Bride  
Ensemble projecteur  
Sachet de vis: 2 vis DIN 7981 A2 4,8 x 16  
16 vis DIN 966 A2 M-6x24 (1)  
16 vis DIN 7982 5,5x25 (2)

- (1) Pour projecteurs avec niches à filetage métrique  
(2) Pour projecteurs avec niches à autovissage

## 2. CARACTÉRISTIQUES GÉNÉRALES :

Ce projecteur a été conçu pour être utilisé entièrement submergé dans des piscines d'eau douce. Il s'agit d'un appareil électrique de classe III avec une tension de sécurité très basse (12 V avec courant alternatif).

Le projecteur est conforme au degré de protection IPX8 (résistance à la pénétration de la poussière, des corps solides et de l'humidité). Il a une profondeur d'immersion nominale de 2 m.

Ce projecteur est conforme aux normes internationales de sécurité des luminaires, en particulier à la norme EN 60598-2-18. LUMINAIRES 2ème PARTIE : CONDITIONS NÉCESSAIRES PARTICULIÈRES SECTION 18 LUMINAIRES POUR PISCINES ET APPLICATIONS SIMILAIRES.

Pour une installation correcte, la prise de courant du projecteur devra posséder un dispositif de protection par courant résiduel avec une intensité maximale de 30 mA. La tension d'alimentation de ces projecteurs doit être fournie par un transformateur isolant de sécurité avec un bobinage double.

Le fabricant n'est aucunement responsable du montage, de l'installation ou de la mise en marche suite à toute manipulation ou rajout de composants électriques qui ne se seraient pas produits chez lui.

## 3. INSTALLATION :

- Ne jamais installer le projecteur en position verticale avec la lampe orientée vers le bas. Pour assurer un bon éclairage à une piscine, il est recommandé d'installer un projecteur de tous les 20 m<sup>2</sup> de surface d'eau. Dans les piscines particulièrement profondes, il faudra employer un projecteur de tous les 25 m<sup>2</sup> de volume d'eau.
- Pour éviter d'être aveuglé par la lumière, il faut que l'orientation des projecteurs soit contraire à la direction de l'habitation ou de la vue habituelle de la piscine.
- Si l'éclairage est destiné à des piscines de compétition ou d'enlèvement, les projecteurs devront être installés sur les bords pour éviter que les nageurs soient éblouis par la lumière.
- Pour éviter d'avoir à vider la piscine lorsqu'il faut remplacer la lampe, il est recommandé d'installer les projecteurs à des endroits facilement accessibles à partir du bord supérieur de la piscine.
- **Pour les installations où vous souhaitez remplacer un projecteur conventionnel par un projecteur à LEDS, et si vous voulez profiter du câblage qui existe, il est vivement conseillé d'utiliser des raccords immergeables de résine. Il n'est pas recommandé d'utiliser des silicones pour essayer d'obtenir l'étanchéité au point d'union des câbles. Le projecteur ne doit, en aucun cas, être manipulé ; en effet, ladite manipulation supposerait la perte de la garantie.**

Avant de procéder à l'installation, vérifiez que le presse-étoupe (num. 28) est bien serré

Le projecteur doit être placé sur la paroi de la piscine à environ 400-700 mm de la surface de l'eau (Fig. 1).

La méthode de fixation de la niche à la paroi de la piscine est différente suivant qu'il s'agit d'un projecteur pour piscine en béton ou piscine préfabriquée.

### Piscine en béton

Pour placer un projecteur dans une piscine de béton, il faut encastrer la niche (num. 18) dans la paroi de la piscine (Fig. 2). S'assurer que la sortie du câble de la niche se trouve bien sur la partie supérieure.

### Piscine préfabriquée

Pour placer un projecteur dans une piscine préfabriquée, il faut percer un trou circulaire de 240 mm de diamètre (Fig. 2).

Placer la niche (num. 18) et l'un des joints adhésifs (num. 19) sur le côté extérieur de la piscine. Sur le côté intérieur, placer l'autre joint adhésif et fixer les trois éléments avec les deux vis DIN 7981 4,8x16 (num. 22) (Fig. 3). S'assurer que la sortie du câble de la niche se trouve bien sur la partie supérieure.

Pour procéder à la mise en place de la bride (num. 21) sur le côté intérieur de la piscine, s'assurer que les têtes des vis DIN 7981 4,8 x 16 qui ont été placées auparavant (num. 22), coïncident bien avec l'orifice leur correspondant dans la partie amère de la bride.

Fixer la bride (num. 21) à la paroi de la piscine au moyen de 16 vis:

DIN 966 M-6x24 en pointe (num. 22) si la niche est pour vis à filetage métrique (Fig. 4)  
DIN 7982 5,5x25 (num. 22) si la niche est pourvue d'autovissage (Fig. 4).

#### 4. MONTAGE :

Une fois installée la niche et la bride, dans le cas de la piscine préfabriquée, procéder au montage du projecteur.  
Pour brancher le projecteur à la ligne électrique introduire le câble à travers l'écrou presse-étoupe (25). Serrer l'écrou presse-étoupe et s'assurer que le câble tient bon lorsqu'on tire sur celui-ci.  
Il faut garder 1,5 m de câble enroulé sur la niche du projecteur (num. 18) pour pouvoir ramener le projecteur jusqu'au bord de la piscine en cas de manipulation ou de remplacement de la lampe. (Fig. 5).  
Introduire l'ensemble du projecteur dans la niche (Fig. 6). Pour obtenir une bonne illumination de la piscine il est important que l'annagramme de l'anneau enjoliveur (num. 1) soit situé sur la partie supérieure (Fig. 7).  
Serrer les deux vis M-6x80 (num. 2) jusqu'à ce que le crampón de fixation soit bien ancré sur les parois de la niche.

#### 5. ENTRETIEN:

Ce projecteur ne demande aucun type d'entretien ; si vous détectez que le projecteur ne fonctionne pas correctement, veuillez vous mettre en rapport avec notre service au client.  
Il n'est permis, en aucun cas, de réaliser des manipulations, quelles qu'elles soient, à l'intérieur du projecteur. Tout projecteur manipulé ne sera plus sous garantie.  
Si vous souhaitez extraire le projecteur de la piscine, il faudra demander de le faire à un professionnel possédant la qualification requise pour ce genre de travail.  
Pour pouvoir amener le projecteur jusqu'au bord de la piscine (Fig. 5) il faut desserrer les 2 vis DIN 966 M-6x80 (num.2) jusqu'à ce que le crampón de fixation permette de séparer l'ensemble du projecteur de la niche.

#### Attention :

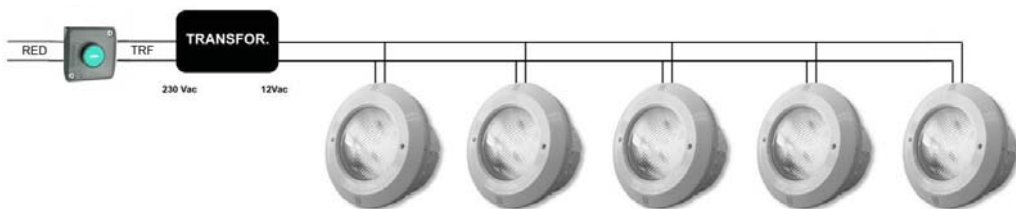
- Avant toute manipulation, s'assurer que le projecteur N'EST PAS sous tension.

#### 6. SYSTÈMES DE CONTRÔLE DES PROJECTEURS À LEDS :

Le contrôle des projecteurs à LEDS peut se faire en utilisant deux systèmes différents : au moyen d'un bouton poussoir normalement fermé ou bien au moyen du récepteur modulateur et/ou du contrôle à distance.  
Dans les deux cas, il faut vous assurer que la tension reçue par la lampe ne dépasse, en aucun cas, 12 V.  
Le projecteur ne doit fonctionner que s'il est immergé et fixé aux parois verticales de la piscine. Le projecteur est pourvu d'une protection thermique qui, dans le cas d'un excès de température, réduit le niveau d'éclairage pour éviter des surchauffes.

##### 6.1. Colorplus ECO : contrôle au moyen d'un bouton-poussoir

Le système dispose de **14 modes de fonctionnement** : **7 couleurs fixes** et **7 séquences de couleurs différentes** (consulter le paragraphe 6.1.2). Chaque fois que vous appuyez brièvement, vous effectuez un changement de couleur ou de séquence. En appuyant plus longuement sur ce bouton, vous faites passer le/s projecteur/s à la couleur blanche.



##### 6.1.1 Diagramme du branchement électrique

Le système Color Plus Eco se compose du/des Projecteur/s, du transformateur et du bouton-poussoir normalement fermé (NC).  
Le transformateur doit être dimensionné pour fournir 45VA sur chaque projecteur à leds qui y est branché. Par exemple, si vous souhaitez contrôler 6 projecteurs, vous devez les connecter en parallèle à un transformateur d'au moins 270VA. Le bouton-poussoir devra être dimensionné pour supporter la puissance consommée par le nombre des projecteurs de l'installation.

##### 6.1.2. Modes de fonctionnement

Le bloc Colorplus ECO permet de créer des différentes ambiances décoratives et lumineuses à l'intérieur de la piscine avec deux possibilités de fonctionnement :

**Couleur fixe** : Sélection d'une couleur fixe parmi sept couleurs proposées.

N° DE COULEUR	% ROUGE	% BLEU	% VERT	COULEUR
1	100	100	100	Blanc
2	100	0	0	Rouge
3	0	100	0	Bleu
4	0	0	100	Vert
5	100	100	0	Pourpre
6	0	100	100	Cyan
7	100	0	100	Jaune

**Séquence automatique de couleurs :** Sélection entre neuf programmes de la séquence de couleurs. Chaque programme est défini par le temps de présence de chaque couleur et la durée de la transition d'une couleur à une autre selon le tableau suivant :

SÉQUENCE	ORDRE DES COULEURS						TEMPORISATION DE COULEUR (SEC.)	TEMPORISATION DE MÉLANGE (SEC.)
1	Rouge	Bleu	Vert	Pourpre	Cyan	Jaune	2	2
2	Rouge	Vert	Cyan	Bleu	Pourpre	Jaune	4	4
3	Pourpre	Cyan	Jaune	-	-	-	4	4
4	Rouge	Bleu	Verte	-	-	-	8	8
5	Pourpre	Cyan	Jaune	-	-	-	18	18
6	Jaune	Pourpre	Cyan	-	-	-	0,5	0,5
7	Vert	Rouge	Bleu	-	-	-	0,5	0,5

Chaque fois que vous appuyez sur le bouton-poussoir, vous effectuez un changement de couleur ou de séquence. Le cycle des couleurs et des séquences est rotatif. Si par exemple vous avez la couleur 5, la prochaine fois que vous appuyerez sur le bouton-poussoir, vous obtiendrez la couleur 6 et, si vous appuyez encore une fois dessus, vous obtiendrez la séquence 7. Si vous êtes sur la séquence 7, en appuyant une fois de plus sur le bouton, vous obtiendrez la couleur 2 qui correspond au rouge.

La couleur 1 correspond à la couleur blanche et s'obtient en appuyant longuement sur le bouton-poussoir.

## 6.2. COLOR PLUS TOP : contrôle au moyen du Récepteur-Modulateur et/ou du Contrôle à distance

Le système dispose de **21 modes de fonctionnement : 12 couleurs fixes et 9 séquences de couleurs différentes** (consulter le paragraphe 6.2.2).

Le Récepteur-Modulateur permet de contrôler l'allumage et l'extinction des projecteurs, les changements de couleurs et de séquences et une temporisation d'extinction.

Si vous disposez du contrôle à distance, en plus de réaliser les fonctions du récepteur-modulateur, la commande à distance vous permettra d'activer ou de désactiver la présence des couleurs composant une séquence et de sélectionner le temps de temporisation d'extinction.

### 6.2.1 Diagramme du branchement électrique

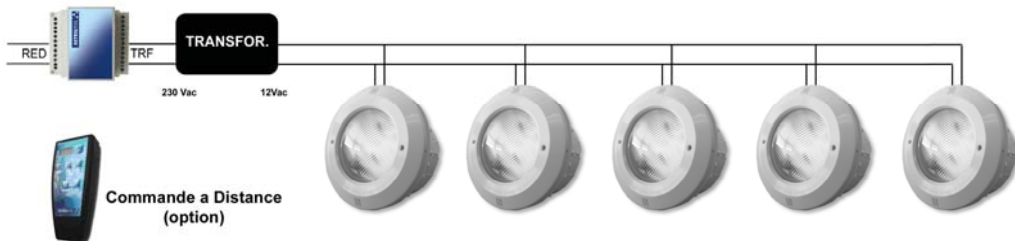
Pour pouvoir l'installer correctement, nous avons besoin du Récepteur-Modulateur, du transformateur et finalement du projecteur à voyants lumineux. Ce système peut, optionnellement, être contrôlé par un Contrôle à distance. Pour plus de renseignements sur l'installation du Récepteur-Modulateur, veuillez consulter le paragraphe 6.2.3 Le paragraphe 6.2.4 contient des informations sur le Contrôle à distance.

Le Récepteur-Modulateur se branche sur le réseau électrique de 230 Vac au moyen des deux bornes signalées RED et se connecte au primaire du transformateur (230 Vac) grâce aux bornes signalées TRF (Voir schéma ci-joint).

Chaque Récepteur-Modulateur, il peut contrôler jusqu'à un maximum de cinq projecteurs.

Le transformateur doit être dimensionné pour fournir 45 VA sur chaque projecteur à voyants qui est connecté. Par exemple, si nous voulons contrôler 5 projecteurs, nous devons les brancher en parallèle sur un transformateur d'au moins 270VA.

**Chaque Récepteur-Modulateur peut contrôler jusqu'à un maximum de 15 projecteurs à LEDs.**



Après avoir effectué le branchement électrique, pour sa première mise en marche, procéder comme suit :

- Connectez l'ensemble en activant les 230 Vac. à l'entrée du Récepteur-Modulateur et celui-ci se syntonisera automatiquement avec le transformateur. Le voyant vert du Récepteur - Modulateur se mettra alors à clignoter toutes les 2 sec. et le projecteur restera éteint.
- **Mise en marche de la Commande à distance**
  - Appuyer longuement sur la touche OFF du Récepteur-Modulateur, le voyant vert effectuera alors un clignotement rapide, vous indiquant qu'elle est en fonction d'Apprentissage.
  - Allumer la Commande à distance et appuyer sur n'importe quelle touche. Si vous disposez de diverses Commandes à distance, au maximum huit, répéter l'opération pour que le Récepteur- Modulateur les reconnaisse toutes comme mises en marche.

### 6.2.2 Types d'éclairage

L'ensemble **Commande à distance – Récepteur / Modulateur – Transformateur - Projecteur à voyants** permet de créer différents décors lumineux à l'intérieur de la piscine avec deux possibilités de fonctionnement :

**Couleur fixe** : Sélection d'une couleur fixe entre douze couleurs possibles.

N° DE COULEUR	% ROUGE	% BLEU	% VERT	COULEUR
1	100	0	0	Rouge
2	0	100	0	Bleu
3	0	0	100	Vert
4	100	50	0	Magenta
5	100	0	50	Jaune clair
6	0	100	50	Cyan bleuté
7	0	50	100	Cyan verdâtre
8	100	100	0	Pourpre
9	0	100	100	Cyan
10	100	0	100	Jaune
11	100	100	50	Blanc bleuté
12	100	50	100	Blanc verdâtre

**Séquence automatique de couleurs** : Sélection entre neuf programmes de la séquence de couleurs. Chaque programme est défini par le temps de présence de chaque couleur et la durée de la transition d'une couleur à une autre selon le tableau suivant :

SÉQUENCE	TEMPORISATION DE COULEUR (SECONDES)	TEMPORISATION DE MÉLANGE (SECONDES)
1	4	1
2	8	8
3	15	4
4	15	15
5	30	8
6	30	30
7	60	15
8	60	60
9	120	60

Par exemple, le programme 5 indique que chaque couleur reste 30 secondes, dont 22 présentent une couleur fixe et 8 sont employées pour faire la transition à la couleur suivante. Le programme 8 indique que les 60 secondes correspondant à chaque couleur s'utilisent pour faire la transition à la couleur suivante.

Les couleurs qui interviennent dans la séquence peuvent être sélectionnées parmi les 12 couleurs fixes ; pour les inclure dans la séquence, le procédé à suivre est le suivant :

- En utilisant la commande à distance, appuyer sur la touche COLOR, le visuel affiche alors le numéro de la couleur sélectionnée précédé de la lettre "C".
- En appuyant sur la touche d'ACTIVACIÓN, vous pouvez constater que la lettre "C" majuscule succède alternativement à la lettre "c" minuscule.
- Les couleurs que vous activez avec le "C" majuscule sont celles qui feront partie de la séquence.

REMARQUE : Le projecteur est équipé d'une protection thermique qui, dans le cas d'un excès de température, réduit le degré d'éclairage pour éviter des surchauffes.

### 6.2.3 Récepteur - modulateur (code 27818)

Installez le Récepteur – Modulateur, protégé contre les milieux corrosifs, hors de boîtes métalliques et loin de tuyauteries métalliques ou de câbles électriques qui bloquent le signal de Radio Fréquence provenant de la commande à distance.



**Fonctionnement des boutons-poussoirs :**

**OFF :**

- Éteint le projecteur.
- En appuyant sur cette touche tout en la maintenant (que le projecteur soit allumé ou éteint), le récepteur se met en position d'"Apprentissage", ce qui permet de mettre en marche la commande à distance en appuyant seulement une fois sur n'importe quelle touche de la Commande (Voir paragraphe "Mise en Marche").

**ON / COLOR :**

- Si le projecteur est éteint ou en mode SÉQUENCE, cette touche sert à allumer le projecteur dans le mode COULEUR FIXE (la couleur activée sera la dernière couleur fixe que vous aurez utilisée).
- Si le projecteur est déjà en mode COULEUR FIXE, chaque fois que vous appuyez sur cette touche, vous le ferez changer de couleur parmi les 12 possibilités existantes.

## ON / SECUENCIA :

- Si le projecteur est éteint ou en mode COULEUR FIXE, cette touche sert à allumer le projecteur dans le mode SÉQUENCE (le programme activé sera le dernier utilisé). Les changements de programme ou de couleurs présentes dans la séquence doivent se réaliser en utilisant la commande à distance.

## ON / TIMER :

- Si le projecteur est éteint, cette touche sert à l'allumer dans le dernier mode de fonctionnement utilisé et à activer la fonction TIMER en faisant qu'il s'éteigne automatiquement lorsque se sera écoulé le temps préfixé au préalable au moyen de la commande à distance (les changements de durée de la temporisation doivent être effectués en utilisant la commande à distance).
- Si le projecteur est en mode COULEUR FIXE ou SÉQUENCE, cette touche sert à activer la fonction TIMER.

**REMARQUE : La Commande à distance doit rester éteinte lorsque vous utilisez les boutons-poussoirs du Récepteur - Modulateur.**

**VOYANT indicateur :** En observant le fonctionnement du voyant vert du Récepteur – Modulateur, vous pouvez déterminer l'état de fonctionnement du projecteur :

- |  |  |
|--|--|
| • Voyant éteint :                      | Il n'y a pas d'alimentation électrique.                |
| • Clignotement toutes les 2 secondes : | Projecteur ayant les voyants éteints.                  |
| • Voyant allumé fixe :                 | Projecteur en mode COULEUR FIXE ou SÉQUENCE.           |
| • Clignotement lent :                  | Fonction TIMER (EXTINCTION AUTOMATIQUE) activée.       |
| • Clignotement rapide :                | Fonction APPRENTISSAGE.                                |
| • Clignotement pendant 2 secondes :    | Réception d'un ordre venant de la commande à distance. |

### 6.2.4 Commande à distance (code 27817)

Caractéristiques techniques :	Fréquence de fonctionnement :	433 MHz
	Portée en champ ouvert :	50 m
	Batterie :	9 Vdc type 6LR61.

#### Description du Clavier :

**Touche ON / OFF :** Si la commande à distance est éteinte, en appuyant sur cette touche, elle s'allume en envoyant le dernier ordre exécuté. Si la commande à distance était allumée, elle s'éteint sans éteindre le projecteur. En restant plus d'une minute sans appuyer sur aucune touche, elle s'éteindra.

**Touche COL (COULEUR) :** Cette touche active le mode COULEUR FIXE et, en appuyant dessus plusieurs fois de suite, elle vous permet de sélectionner une couleur du tableau suivant :

Le visuel affichera alors : C01, C02 .....C12 en fonction de la couleur sélectionnée.

**Touche SEC (SÉQUENCE) :** Cette touche active le mode SÉQUENCE et permet de sélectionner l'un des neuf programmes différents. Chaque programme est défini par une temporisation qui détermine la durée pendant laquelle la couleur est présente et une autre temporisation qui détermine le temps de mélange et de transition à la couleur suivante.

Le visuel affichera alors : P-1, P-2.....P-9, en fonction du programme sélectionné.

**Touche ACT (ACTIVATEUR DE COULEUR) :** Cette touche vous permet d'activer ou de désactiver la présence des couleurs qui composent la séquence. Le maximum de couleurs permises dans la séquence est de 12 ; si vous voulez que certaines de ces couleurs ne fassent pas partie de la séquence, vous pouvez les désactiver en appuyant sur cette touche.

Quand la couleur est activée, elle apparaît sur le visuel précédée d'un C majuscule tandis que si elle est désactivée elle est précédée d'un c minuscule. Exemple: C05 (activé) ou c05 (handicapés).

**Touche TIMER (EXTINCTION AUTOMATIQUE) :** Cette touche active le temporisateur d'extinction automatique. Chaque fois que vous appuyez dessus, le visuel affichera le temps qui reste avant de s'éteindre (15, 30, 60, 90, 120 et 180 minutes). L'extinction automatique étant activée, vous pouvez la désactiver en éteignant le projecteur en appuyant sur la touche OFF. Lorsque vous activez le TIMER, le projecteur s'éteint pendant une seconde comme indication d'activation. Cette touche sert à éteindre le projecteur. La commande à distance s'éteindra en même temps.

**REMARQUE : Les ordres de la commande à distance l'emportent sur ceux du Modulateur - Récepteur.**

## 7. AVERTISSEMENTS CONCERNANT LA SÉCURITÉ:

- Les personnes chargées du montage doivent avoir la qualification requise pour ce genre de travail.
- Il faut éviter tout contact avec la tension électrique.
- Il faut respecter les normes de prévention des accidents en vigueur.
- Pour ce faire, il faut en particulier respecter les normes IEC 364-7-702. INSTALLATIONS ÉLECTRIQUES DANS L'INTÉRIEUR DES BÂTIMENTS, INSTALLATIONS SPÉCIALES, PISCINES,
- Toute opération de maintenance ou de remplacement des pièces doit être précédée de la déconnexion du projecteur du réseau électrique.
- Ne pas le manipuler avec les pleds monillos.



## 8. INFORMATION ENVIRONNEMENTALE

---

### Traitement des appareils électriques et électroniques usagés (Applicable uniquement dans l'Union européenne)



Nos produits sont conçus et fabriqués avec des matériaux et des composants de haute qualité, respectueux de l'environnement, qui peuvent être réutilisés et recyclés. Ce symbole, figurant sur votre appareil ou sur l'emballage, signifie que cet appareil ne peut pas finir sa vie dans les usines d'incinération des ordures ménagères normales. Le technicien qui vient vous installer le nouvel appareil doit vous le reprendre ou bien vous devez le déposer dans les points de collecte destinés aux appareils électriques et électroniques. La gestion du recyclage de cet appareil est totalement gratuite et, en séparant cet appareil des autres déchets, vous contribuez à éviter des conséquences nuisibles pour l'environnement et la santé des personnes, évitant une manipulation incorrecte. Merci de nous aider à préserver l'Environnement.

Pour recevoir de plus amples renseignements sur la façon de réaliser correctement le démontage de cet appareil en vue de son recyclage, veuillez vous mettre en rapport avec nous sur [quality@sacopa.com](mailto:quality@sacopa.com)

## CERTIFICAT DE GARANTIE

### 1. ASPECTS GÉNÉRAUX

---

- 1.1 Conformément à ces dispositions, le vendeur garantit que le produit Astral correspondant à cette garantie (Générateur Fibre Optique) ne présente aucun défaut de conformité à la date de sa livraison.
- 1.2 La Période de Garantie pour le Produit est de deux (2) ans et elle sera calculée à partir du moment de sa remise à l'acheteur.
- 1.3 S'il se produisait un défaut de conformité du Produit et si l'acheteur le notifiait au vendeur pendant la Période de Garantie, le vendeur devrait réparer ou remplacer le Produit à ses propres frais au lieu qu'il jugerait opportun, à moins que cela soit impossible ou disproportionné.
- 1.4 Lorsque le Produit ne pourra être ni réparé ni remplacé, l'acheteur pourra demander une réduction proportionnelle du prix ou, si le défaut de conformité est suffisamment important, la résiliation du contrat de vente.
- 1.5 Les pièces remplacées ou réparées en vertu de cette garantie ne prolongeront pas le délai de la garantie du Produit original, celles-ci étant cependant couvertes par leur propre garantie.
- 1.6 En vue de l'effectivité de la présente garantie, l'acheteur devra justifier la date d'acquisition et de livraison du Produit.
- 1.7 Quand plus de six mois se seront écoulés depuis la remise du Produit à l'acheteur et que ce dernier alléguera un défaut de conformité de ce Produit, l'acheteur devra justifier l'origine et l'existence du défaut allégué.
- 1.8 Le présent Certificat de Garantie ne limite pas, ni préjuge les droits qui correspondent aux consommateurs en vertu des normes nationales de nature impérative.

### 2. CONDITIONS PARTICULIÈRES

---

- 2.1 La présente garantie couvre les produits et les familles de produits Astral suivants : Générateurs de Fibre Optique.
- 2.2 Le présent Certificat de Garantie ne sera d'application que dans les pays de l'Union européenne.
- 2.3 Pour l'efficacité de cette garantie, l'acheteur devra suivre rigoureusement les indications du Fabricant figurant dans la documentation qui est jointe au Produit, quand celle-ci est applicable selon la gamme et le modèle du Produit.
- 2.4 Quand un calendrier est spécifié pour le remplacement, la maintenance ou le nettoyage de certaines pièces ou de certains composants du Produit, la garantie sera valable uniquement lorsque ledit calendrier aura été suivi correctement.

### 3. LIMITATIONS

---

- 3.1 La présente garantie ne sera applicable que dans les ventes réalisées aux consommateurs, considérant comme "consommateur" toute personne qui achète le Produit à des fins n'étant pas du domaine de son activité professionnelle.
- 3.2 Aucune garantie n'est concédée pour ce qui a trait à l'usure normale due à l'utilisation du Produit. En ce qui concerne les pièces, les composants et/ou matériels fongibles ou consommables comme les piles, les ampoules etc., il faudra respecter, le cas échéant, ce qui est stipulé dans la documentation qui est jointe au Produit.
- 3.3 La garantie ne couvre pas les cas où le Produit : (i) a fait l'objet d'un traitement incorrect ; (ii) a été réparé, entretenu ou manipulé par une personne non autorisée ; (iii) a été réparé ou entretenu avec des pièces qui ne sont pas d'origine ou (iv) a été installé ou mis en marche d'une façon incorrecte.
- 3.4 Quand le défaut de conformité du Produit sera la conséquence d'une installation ou d'une mise en marche incorrecte, la présente garantie sera valable uniquement lorsque ladite installation ou mise en marche sera comprise dans le contrat d'achat et de vente du Produit et aura été réalisée par le vendeur ou sous sa responsabilité.

**IMPORTANTE:** El manual de instrucciones que usted tiene en sus manos, contiene información fundamental acerca de las medidas de seguridad a adoptar a la hora de la instalación y la puesta en servicio. Por ello, es imprescindible que tanto el instalador como el usuario lean las instrucciones antes de pasar al montaje y la puesta en marcha. Conserve este manual para futuras consultas acerca del funcionamiento de este aparato.

Para conseguir un óptimo rendimiento del Proyector Standard de LEDS, es conveniente observar las instrucciones que se indican a continuación:

## 1. COMPRUEBE EL CONTENIDO DEL EMBALAJE:

En el interior de la caja encontrará los siguientes accesorios.

### Proyector piscina Hormigón

Cuerpo nicho  
Conjunto proyector

### Proyector piscina prefabricada

Cuerpo nicho  
2 Juntas estanqueidad  
Brida  
Conjunto proyector  
Bolsa tornillos: 2 tornillos DIN 7981 A2 4,8x16  
16 tornillos DIN 966 A2M-6x24 (1)  
16 tornillos DIN 7982 5,5x25 (2)

(1) Para proyectores con nichos con rosca métrica

(2) Para proyectores con nichos autorroscantes

## 2. CARACTERÍSTICAS GENERALES:

Este proyector ha sido diseñado para utilizarse totalmente sumergido en piscinas de agua dulce. Se trata de un aparato eléctrico de clase III con una muy baja tensión de seguridad (12 V con corriente alterna).

El proyector cumple con el grado de protección IPX8 (resistencia a la penetración de polvo, a los cuerpos sólidos y a la humedad) con una profundidad de inmersión nominal de 2 m.

Este proyector cumple con las normas internacionales de seguridad de luminarias, en especial la norma EN 60598-2-18: LUMINARIAS PARTE 2: REQUERIMIENTOS PARTICULARES SECCIÓN 18 LUMINARIAS PARA PISCINAS Y APLICACIONES SIMILARES.

Para su correcta instalación, la toma de corriente del proyector deberá tener un dispositivo de protección por corriente residual con una intensidad máxima de 30 mA. El transformador de alimentación de estos proyectores debe de ser un transformador aislante de seguridad con bobinados separados.

El fabricante en ningún caso se responsabiliza del montaje, instalación o puesta en funcionamiento de cualquier manipulación o incorporación de componentes eléctricos que no se hayan llevado a cabo en sus instalaciones.

## 3. INSTALACIÓN:

- Para iluminar claramente una piscina se recomienda instalar un proyector cada 20 m<sup>2</sup> de superficie de agua. En piscinas especialmente profundas, será necesario un proyector cada 25 m<sup>2</sup> de volumen de agua.
- A fin de evitar deslumbramientos, los proyectores deben instalarse orientados en sentido contrario de la vivienda o vista habitual de la piscina.
- En caso de utilizar iluminación en piscinas de competición o entrenamiento, los proyectores deberán instalarse en los laterales para evitar el deslumbramiento de los nadadores.
- Para evitar el vaciado de la piscina en caso de mantenimiento, se recomienda la instalación del proyector en lugares accesibles desde el borde superior de la piscina.
- **En instalaciones donde se quiera sustituir un foco convencional por un proyector de LEDs, aprovechando el cableado existente, es totalmente aconsejable utilizar empalmes subacuáticos de resina. No se recomienda el uso de siliconas para intentar conseguir la estanqueidad en el punto de unión de los cables. El foco no debe manipularse bajo ningún concepto, dicha manipulación supondría la pérdida de la garantía.**

Antes de instalar comprobar que el cuerpo prensaestopas (núm. 24 o 28) esté bien apretado.

El proyector deberá colocarse en la pared de la piscina a unos 400-700 mm de la superficie del agua (Fig. 1).

El método de fijación del nicho a la pared de la piscina varía según sea un proyector para piscina de hormigón o piscina prefabricada.

### Piscina hormigón

Para colocar un proyector en una piscina de hormigón debe empotrarse el nicho (núm. 18) en la pared de la piscina (Fig. 2) Asegurarse que la salida del cable del nicho queda en la parte superior.

### Piscina prefabricada

Para colocar un proyector en una piscina prefabricada debe realizarse un agujero circular de 240 mm de diámetro (Fig. 2). Colocar el nicho (núm. 18) y una de las juntas adhesivas (núm. 19) en el lado exterior de la piscina. En el lado interior colocar la otra junta adhesiva y fijar los tres elementos con los dos tornillos DIN 7981 4,8x16 (núm. 22). (Fig. 3). Asegurarse que la salida del cable del nicho queda en la parte superior.

Antes de proceder a la colocación de la brida (núm. 21) en el lado interior de la piscina, debe asegurarse que las cabezas de los tornillos DIN 7981 4,8x16 previamente colocados (núm. 22) coincidan con el hueco reservado para ellos en la parte posterior de la brida.

Fijar la brida (núm. 21) a la pared de la piscina mediante 16 tornillos:

DIN 966 M-6x24 punt (núm. 22) si el nicho es para tornillos de rosca métrica (Fig. 4).

DIN 7982 5,5x25 (núm. 22) si el nicho es para tornillos autorroscantes (Fig. 4).

#### 4. MONTAJE:

Una vez instalado el nicho, y la brida en el caso de la piscina prefabricada, puede proceder al montaje del proyector. Para conectar el proyector a la red eléctrica debe introducir el cable a través de la tuerca prensaestopas (25). Apriete la tuerca prensaestopas hasta asegurarse que al tirar del cable con la mano éste no cede. Debe tener la precaución de dejar 1,5 m de cable enrollados en el nicho del proyector (núm. 18) para poder extraer el proyector hasta el borde de la piscina en caso de manipulación. (Fig. 5). Introducir todo el conjunto del proyector en el nicho (Fig. 6). Para obtener una buena iluminación de la piscina es importante que el anagrama del anillo embellecedor (núm. 1) quede situado en la parte superior (Fig. 7). Roscar los dos tornillos M-6x80 (núm. 2) hasta que la grapa de fijación quede anclada en las paredes interiores del nicho (Fig. 8).

#### 5. MANTENIMIENTO:

Este proyector no necesita de ningún tipo de mantenimiento, si detectan que el proyector no funciona correctamente por favor pónganse con nuestro departamento de atención al cliente. Bajo ningún concepto, se permiten manipulaciones en el interior del proyector. Todo proyector manipulado perderá su garantía. Este proyector no necesita de ningún tipo de mantenimiento. Si se quiere extraer el proyector de la piscina, lo deberá realizar personal que posea la calificación requerida para este tipo de trabajos. Para extraer el proyector hasta el borde de la piscina (Fig. 5) se deben aflojar los 2 tornillos DIN 966 M-6x80 (núm. 2) hasta que la grapa de fijación ceda lo suficiente como para poder separar el conjunto del proyector del nicho.

#### Atención:

- Antes de cualquier manipulación asegurarse que el proyector NO recibe tensión.

#### 6. SISTEMAS DE CONTROL DE LOS PROYECTORES DE LEDS:

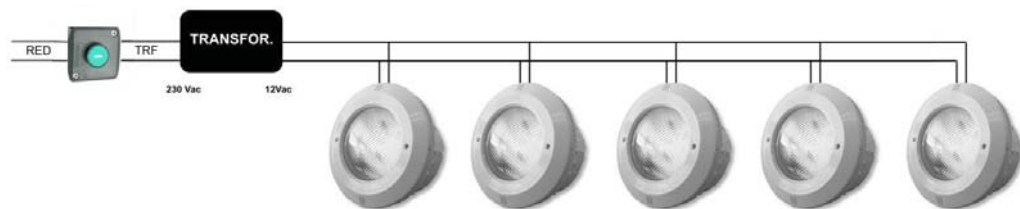
El control de los proyectores de LEDS puede realizarse mediante dos sistemas diferentes: mediante un pulsador normalmente cerrado o bien mediante el receptor modulador y/o el control remoto. En ambos casos debe asegurarse que bajo ningún concepto la tensión que reciba la lámpara sea superior a 12 V. El proyector únicamente debe funcionar sumergido y fijado a las paredes verticales de la piscina. El foco va provisto de una protección térmica que, en el caso de un exceso de temperatura, reduce el nivel de iluminación para evitar sobrecalentamientos.

##### 6.1. Colorplus ECO: control mediante pulsador

El sistema dispone de **14 modos de funcionamiento: 7 colores fijos y 7 secuencias de colores diferentes** (consultar apartado 6.1.2). Mediante cada pulsación corta efectuamos un cambio de color o de secuencia. Mediante una pulsación larga situamos el/los proyector/es en el color blanco.

##### 6.1.1. Diagrama de conexiónado eléctrico

El sistema Color Plus Eco está compuesto por el/los proyector/es, el transformador y el pulsador normalmente cerrado (NC). El transformador ha de estar dimensionado para suministrar 45VA por cada foco de leds que se conecte. Por ejemplo, si deseamos controlar 6 focos debemos conectarlos en paralelo a un transformador de cómo mínimo 270VA. El pulsador deberá estar dimensionado para soportar la potencia consumida por el número de proyectores de la instalación.



##### 6.1.2. Modos de funcionamiento

El conjunto Colorplus ECO permite crear distintos escenarios luminosos en el interior de la piscina con dos posibilidades de funcionamiento:

**Color fijo:** Selección de un color fijo entre siete posibles.

Nº DE COLOR	% ROJO	% AZUL	% VERDE	COLOR
1	100	100	100	Blanco
2	100	0	0	Rojo
3	0	100	0	Azul
4	0	0	100	Verde
5	100	100	0	Púrpura
6	0	100	100	Cyan
7	100	0	100	Amarillo

**Secuencia automática de colores:** Selección entre siete programas de la secuencia de colores. Cada programa viene definido por el tiempo de presencia de cada color y la duración de la transición de un color a otro según la siguiente tabla:

SECUENCIA	ORDEN DE LOS COLORES						TEMPORIZACIÓN DE COLOR (SEG.)	TEMPORIZACIÓN DE MEZCLA (SEG.)
1	Rojo	Azul	Verde	Púrpura	Cyan	Amarillo	2	2
2	Rojo	Verde	Cyan	Azul	Púrpura	Amarillo	4	4
3	Púrpura	Cyan	Amarillo	-	-	-	4	4
4	Rojo	Azul	Verde	-	-	-	8	8
5	Púrpura	Cyan	Amarillo	-	-	-	18	18
6	Amarillo	Púrpura	Cyan	-	-	-	0,5	0,5
7	Verde	Rojo	Azul	-	-	-	0,5	0,5

Mediante cada pulsación efectuamos un cambio de color o secuencia. El ciclo de colores y secuencias es rotativo. Si por ejemplo tenemos el color 5, en la siguiente pulsación obtendremos el color 6, si volvemos a pulsar, obtendremos la secuencia 1. Si estamos en la secuencia 7, en la siguiente pulsación vamos a obtener el color 2 que corresponde al Rojo.

El color 1, corresponde al color blanco y se obtiene mediante una pulsación larga.

## 6.2. Colorplus TOP: control mediante el Receptor-Modulador y/o el Control Remoto

El sistema dispone de **21 modos de funcionamiento: 12 colores fijos y 9 secuencias de colores diferentes** (consultar apartado 6.2.2). Mediante el Receptor-Modulador se controla el encendido y apagado de los focos, los cambios de colores y secuencias y una temporización de apagado.

En caso de disponer de control remoto, además de realizar las funciones del receptor-modulador, el mando a distancia nos permitirá activar o desactivar la presencia de los colores que componen una secuencia y seleccionar el tiempo de temporización de apagado.

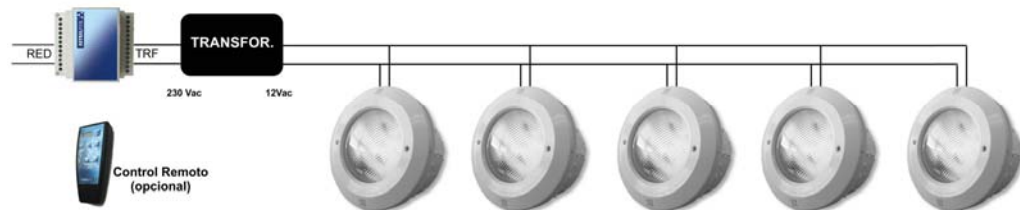
### 6.2.1. Diagrama de conexiónado eléctrico

Para una correcta instalación, necesitamos el Receptor-Modulador, el transformador y el foco de leds. Opcionalmente este sistema puede ser controlado por Control Remoto. Para más información acerca del funcionamiento del Receptor-Modulador consultar en el apartado 6.2.3 y el apartado 6.2.4 contiene información acerca del Control Remoto.

El Receptor-Modulador se conecta a la red eléctrica de 230 Vac mediante los dos bornes indicados como RED y se conecta al primario del transformador (230 Vac) mediante los bornes indicados con TRF (ver esquema adjunto).

El transformador ha de estar dimensionado para suministrar 45VA por cada foco de leds que se conecte. Por ejemplo, si deseamos controlar 6 focos debemos conectarlos en paralelo a un transformador de cómo mínimo 270VA.

**Cada Receptor-Modulador puede controlar hasta un máximo de 15 focos de LEDs.**



Después de efectuar la conexión eléctrica, para su primera puesta en marcha, operar como sigue:

- Dar alimentación al conjunto activando los 230 Vac. a la entrada del Receptor-Modulador y este se sintonizará de forma automática con el transformador. El led verde del Receptor-Modulador efectuará un parpadeo cada 2 seg. y el foco permanecerá apagado.
- **Alta del Mando a Distancia**
  - Efectuar una pulsación larga de la tecla OFF del Receptor-Modulador, el led verde efectuará una intermitencia rápida indicándonos que está en función Aprendizaje.
  - Encender el Mando a Distancia y pulsar cualquier tecla. En el caso de disponer de varios Mandos a Distancia repetir la operación para que el Receptor- Modulador los reconozca a todos como dados de alta, como máximo ocho.

### 6.2.2. Modos de funcionamiento

El conjunto **Mando a Distancia – Receptor-Modulador – Transformador – Proyector de leds**, permite crear distintos escenarios luminosos en el interior de la piscina con dos posibilidades de funcionamiento:

**Color fijo:** Selección de un color fijo entre doce posibles.

Nº DE COLOR	% ROJO	% AZUL	% VERDE	COLOR
1	100	0	0	Rojo
2	0	100	0	Azul
3	0	0	100	Verde
4	100	60	0	Púrpura
5	100	0	60	Amarillo Tenue
6	0	100	60	Cyan Azulado
7	0	60	100	Cyan Verdoso
8	100	100	0	Púrpura
9	0	100	100	Cyan
10	100	0	100	Amarillo
11	100	100	80	Blanco Azulado
12	100	80	100	Blanco Verdoso

**Secuencia automática de colores:** Selección entre nueve programas de la secuencia de colores. Cada programa viene definido por el tiempo de presencia de cada color y la duración de la transición de un color a otro según la siguiente tabla:

SECUENCIA	TEMPORIZACIÓN DE COLOR (SEG.)	TEMPORIZACIÓN DE MEZCLA (SEG.)
1	4	1
2	8	8
3	15	4
4	15	15
5	30	8
6	30	30
7	60	15
8	60	60
9	120	60

Por ejemplo, el programa 5 indica que cada color permanece 30 segundos, de los que 22 presentan un color fijo y 8 son empleados para hacer la transición al siguiente color. El programa 8 indica que los 60 segundos correspondientes a cada color se utilizan para hacer la transición al siguiente.

Los colores que intervienen en la secuencia se pueden seleccionar de entre los 12 colores fijos, para incluirlos en la secuencia el proceso a seguir es el siguiente:

- Desde el mando a distancia, pulsando la tecla COLOR aparece en el display el número del color seleccionado precedido de la letra "C".
- Pulsando la tecla de ACTIVACIÓN vemos que la letra "C" va alternando entre mayúscula y minúscula.
- Los colores que activamos con la "C" mayúscula son los que formarán parte de la secuencia.

### **6.2.3 Receptor-modulador (cod. 27818)**

Instale el Receptor-Modulador protegido de ambientes corrosivos, fuera de cajas metálicas y lejos de tuberías metálicas o cables eléctricos que bloqueen la señal de Radio Frecuencia proveniente del mando a distancia.

#### **Funcionamiento de los pulsadores:**

##### **OFF:**

- Apaga el foco.
- Una pulsación larga (tanto si el foco está encendido como apagado) sitúa al receptor en el estado de "Aprendizaje" que permite dar de alta el mando a distancia con una sola pulsación de cualquier tecla del Mando. (Ver apartado "Puesta en Marcha")

##### **ON / COLOR:**

- Si el foco está apagado o en modo SECUENCIA, enciende el foco en el modo COLOR FIJO. (el color activado será el último color fijo que hayamos utilizado)
- Si el foco ya está en modo COLOR FIJO, cada pulsación sirve para cambiar el color dentro de las 12 posibilidades existentes.

##### **ON / SECUENCIA:**

- Si el foco está apagado o en modo COLOR FIJO, enciende el foco en el modo SECUENCIA. (El programa activado será el último utilizado) (los cambios de programa o de colores presentes en la secuencia se deben realizar desde el mando a distancia)

##### **ON / TIMER:**

- Si el foco está apagado, lo enciende en el último modo de funcionamiento utilizado y activa la función TIMER haciendo que se apague automáticamente una vez transcurrido el tiempo prefijado previamente desde el mando a distancia. (los cambios de duración de la temporización se han de hacer desde el mando a distancia)
- Si el foco está en modo COLOR FIJO o SECUENCIA, activa la función TIMER.

**NOTA:** El Mando a Distancia debe permanecer apagado cuando estemos utilizando los pulsadores del Receptor-Modulador.



**LED indicador:** Observando el funcionamiento del led verde de Receptor – Modulador, podemos determinar el estado de funcionamiento del foco:

- |                           |  |
|---------------------------|--|
| • Led apagado:            | No hay alimentación eléctrica.                 |
| • Parpadeo cada 2 seg.    | Foco con los leds apagados.                    |
| • Led encendido fijo:     | Foco en modo COLOR FIJO o SECUENCIA.           |
| • Intermitencia lenta:    | Función TIMER activada.                        |
| • Intermitencia rápida:   | Función APRENDIZAJE.                           |
| • Parpadeo Durante 2 seg. | Recepción de orden desde el mando a distancia. |

#### 6.2.4 Mando a distancia (cod. 27817)

Características Técnicas:Frecuencia de Funcionamiento: 433 MHz  
Alcance en campo abierto: 50 m.  
Batería: 9 Vdc tipo 6LR61.

#### **Descripción del Teclado:**

**Tecla ON / OFF:** Si el mando a distancia está apagado, se enciende enviando la última orden ejecutada. Si estaba encendido, se apaga el mando a distancia sin apagar el foco. Permaneciendo más de un minuto sin pulsar ninguna tecla se apagará.

**Tecla COL (COLOR):** Activa el modo COLOR FIJO y mediante pulsaciones sucesivas nos permite seleccionar un color de la siguiente tabla:

En el display aparecerá: C01, C02 .....C12 en función del color seleccionado.

**Tecla SEC (SECUENCIA):** Activa el MODO SECUENCIA y permite seleccionar uno entre los nueve programas diferentes. Cada programa está definido por una temporización que determina la duración en que el color está presente y otra temporización que determina el tiempo de mezcla y transición al siguiente color.

En el display aparecerá: P-1, P-2 .....P-9, en función del programa seleccionado.

**Tecla ACT (ACTIVADOR DE COLOR):** Nos permite activar o desactivar la presencia de los colores que componen la secuencia. El máximo de colores permitidos en la secuencia es de 12, si queremos que algunos de esos colores no formen parte de la secuencia los podemos desactivar mediante esta tecla.

Cuando el color está activado se presenta en el display con C mayúscula mientras que si está desactivado aparece con c minúscula. Ejemplo: C05 (activado) o c05 (desactivado).

**Tecla TIMER (APAGADO AUTOMÁTICO):** Activa el temporizador de apagado automático. A cada pulsación que efectuemos aparecerá en el display el tiempo a transcurrir antes de apagarse. (15, 30, 60, 90, 120 y 180 minutos.) Una vez activado el apagado automático, se puede desactivar apagando el foco con la tecla OFF. Al activarse el TIMER, el foco se apaga durante un segundo como indicación de activación. Sirve para apagar el foco. Al mismo tiempo se apagará el mando a distancia.



**NOTA:** Las órdenes del mando a distancia prevalecen sobre las del Modulador-Receptor

#### **7. ADVERTENCIAS DE SEGURIDAD:**

- Las personas que se encarguen del montaje deben poseer la calificación requerida para este tipo de trabajos.
- Se debe evitar entrar en contacto con la tensión eléctrica.
- Se deben respetar las normas vigentes para la prevención de accidentes.
- A tal respecto, se deben cumplir las normas IEC 364-7-702: **INSTALACIONES ELECTRICAS EN EDIFICIOS. INSTALACIONES ESPECIALES. PISCINAS.**
- Cualquier operación de mantenimiento debe realizarse con el proyector desconectado de la red.
- No manipular con los pies mojados.
- El proyector está diseñado **PARA USAR ÚNICAMENTE SUMERGIDO EN AGUA** i esta concebido **PARA FUNCIONAR ÚNICAMENTE CON UN TRANSFORMADOR DE SEGURIDAD.**

#### **8. INFORMACIÓN MEDIOAMBIENTAL**

Tratamiento de equipos eléctricos y electrónicos después de su vida útil (Solo aplicable en la U.E.)



Nuestros productos están diseñados y fabricados con materiales y componentes de alta calidad, respetuosos con el medio ambiente, que pueden ser reutilizables y reciclados. Este símbolo, marcado en su equipo o embalaje, significa que este equipo no puede ser tratado como un residuo doméstico normal. Usted debe entregar al técnico que instale el nuevo equipo o bien depositar en puntos de recogida destinados a equipos eléctricos y electrónicos. La gestión del reciclaje de este equipo es completamente gratuita para usted y separando este equipo del resto de residuos está contribuyendo a evitar consecuencias negativas para el medio ambiente y la salud de las personas

evitando una manipulación incorrecta. Ayúdenos a conservar el Medioambiente, gracias.

Para recibir información detallada de como realizar el correcto desmontaje de este equipo para su reciclaje pónganse en contacto con nosotros a través de [quality@sacopa.com](mailto:quality@sacopa.com)

## CERTIFICADO DE GARANTÍA

### 1. ASPECTOS GENERALES

---

- 1.1 De acuerdo con estas disposiciones, el vendedor garantiza que el producto Astral correspondiente a esta garantía (Proyector Standard Subacuático de Leds) no presenta ninguna falta de conformidad en el momento de su entrega.
- 1.2 El Periodo de Garantía para el Producto es de dos (2) años y se calculará desde el momento de su entrega al comprador.
- 1.3 Si se produjera una falta de conformidad del Producto y el comprador lo notificase al vendedor durante el Periodo de Garantía, el vendedor deberá reparar o sustituir el Producto a su propio coste en el lugar donde considere oportuno, salvo que ello sea imposible o desproporcionado.
- 1.4 Cuando no se pueda reparar o sustituir el Producto, el comprador podrá solicitar una reducción proporcional del precio o, si la falta de conformidad es suficientemente importante, la resolución del contrato de venta.
- 1.5 Las partes sustituidas o reparadas en virtud de esta garantía no ampliarán el plazo de la garantía del Producto original, si bien dispondrán de su propia garantía.
- 1.6 Para la efectividad de la presente garantía, el comprador deberá acreditar la fecha de adquisición y entrega del Producto.
- 1.7 Cuando hayan transcurrido más de seis meses desde la entrega del Producto al comprador y éste alegue falta de conformidad de aquél, el comprador deberá acreditar el origen y la existencia del defecto alegado.
- 1.8 El presente Certificado de Garantía no limita o prejuzga los derechos que correspondan a los consumidores en virtud de normas nacionales de carácter imperativo.

### 2. CONDICIONES PARTICULARES

---

- 2.1 La presente garantía cubre los siguientes productos y familias de productos Astral: Proyector Standard Subacuático de Leds
- 2.2 El presente Certificado de Garantía será de aplicación únicamente en los países de la Unión Europea.
- 2.3 Para la eficacia de esta garantía, el comprador deberá seguir estrictamente las indicaciones del Fabricante incluidas en la documentación que acompaña al Producto, cuando ésta resulte aplicable según la gama y modelo del Producto.
- 2.4 Cuando se especifique un calendario para la sustitución, mantenimiento o limpieza de ciertas piezas o componentes del Producto, la garantía sólo será válida cuando se haya seguido dicho calendario correctamente.

### 3. LIMITACIONES

---

- 3.1 La presente garantía únicamente será de aplicación en aquellas ventas realizadas a consumidores, entendiéndose por "consumidor", aquella persona que adquiere el Producto con fines que no entran en el ámbito de su actividad profesional.
- 3.2 No se otorga ninguna garantía respecto del normal desgaste por uso del producto. En relación con las piezas, componentes y/o materiales fungibles o consumibles como pilas, lámparas etc., se estará a lo dispuesto en la documentación que acompañe al Producto, en su caso.
- 3.3 La garantía no cubre aquellos casos en que el Producto: (i) haya sido objeto de un trato incorrecto; (ii) haya sido reparado, mantenido o manipulado por persona no autorizada; (iii) haya sido reparado o mantenido con piezas no originales o (iv) haya sido instalado o puesto en marcha de manera incorrecta.
- 3.4 Cuando la falta de conformidad del Producto sea consecuencia de una incorrecta instalación o puesta en marcha, la presente garantía sólo responderá cuando dicha instalación o puesta en marcha esté incluida en el contrato de compra-venta del Producto y haya sido realizada por el vendedor o bajo su responsabilidad.

**IMPORTANTE:** Il manuale d'istruzioni in suo possesso contiene informazioni fondamentali sulle misure di sicurezza da adottare per l'installazione e la messa in servizio. Per ciò è imprescindibile che sia l'installatore che l'utente leggano le istruzioni prima di iniziare il montaggio e la messa in servizio.

Conservi questo manuale per poter consultare in futuro in merito al funzionamento di questo apparecchio.

Per ottenere un ottimo rendimento del Proiettore standard subacqueo a led, conviene leggere le istruzioni indicate a continuazione:

## 1. VERIFICARE IL CONTENUTO DELL'IMBALLAGGIO:

Nella cassa troverà i seguenti accessori:

### Proiettore piscina cemento

Corpo nicchia  
Insieme proiettore

### Proiettore piscina prefabbricata

Corpo nicchia  
2 guarnizioni di tenuta  
Flangia  
Insieme proiettore  
Sacchetto viti: 2 vite DIN 7981 A24,8x16  
16 vite DIN 966 A2M6x24 (1)  
16 vite DIN 7982 5,5x25 (2)

(1) Per proiettori con nicchie a filetto métrico

(2) Per proiettori con nicchie autofilettanti

## 2. CARATTERISTICHE GENERALI:

Questo proiettore é stato disegnato per essere utilizzato totalmente sommerso nelle piscine d'acqua dolce. Si tratta di un apparecchio elettrico di classe III con una bassissima tensione di sicurezza (12 V con corrente alternata).

Il proiettore comple con il grado di protezione IPX8 (resistenza alla penetrazione della polvere, ai corpi solidi e all'umidità) con una profondità d'immersione nominale di 2m.

Questo proiettore segue le norme internazionali di sicurezza d'illuminazione, specialmente la norma EN 60598-2-18: ILLUMINAZIONE PARTE 2: PRESCRIZIONI PARTICOLARI SEZIONE 18 (ILLUMINAZIONE PER PISCINE E APPLICAZIONI SIMILARI).

Per la sua corretta installazione, l'alimentazione del faro dovrà essere protetta da interruttore differenziale o interruttore differenziale magnetotermico, omnipolari con sensibilità 30 mA. La tensione d'alimentazione di questi fari deve essere fornita da un trasformatore isolate di sicurezza con avvolgimenti separati.

Il fabbricante rifiuta qualsiasi responsabilità per il montaggio, l'installazione o la messa in funzione di componenti elettrici che sono stati manipolati o introdotti al di fuori dei suoi stabilimenti.

## 3. INSTALLAZIONE:

- Non installare mai in posizione verticale con la lampada verso il basso. Per ben illuminare una piscina, si raccomanda d'installare un proiettore da per ogni 20 m<sup>2</sup> di superficie d'acqua. Nelle piscine particolarmente profonde, sarà necessario un proiettore da ogni 25 m<sup>2</sup> di volume d'acqua.
- Per evitare abbagliamenti, i proiettori dovranno essere installati orientati nel senso contrario della casa o della vista abituale della piscina.
- Nel caso si usi l'illuminazione in piscine di competizione o allenamento, i proiettori dovranno essere installati lateralmente per evitare l'abbagliamento dei nuotatori.
- Per evitare di dover vuotare la piscina per poter cambiare la lampada, é raccomandato d'installare il proiettore in luoghi accessibili dal bordo superiore della piscina.
- In installazioni nelle quali si voglia sostituire un faretto convenzionale per inserire un proiettore a LED, approfittando il cablaggio già esistente, è del tutto consigliabile utilizzare degli allacci subacquei di resine. Non si raccomanda l'uso di silicone per cercare di ottenere la tenuta stagna nel punto d'unione dei cavi. Il faretto non deve essere manipolato per nessun concetto, giacché la suddetta manipolazione suppone la perdita della garanzia.

Prima d'installare, verificare che il premistoppa (n. 28) sia stretto bene.

Il proiettore dovrà essere collocato sulla parete della piscina a circa 400-700 mm dalla superficie dell'acqua (Fig.1).

Il método per fissare la nicchia alla parete della piscina varia a secondo se si tratta di un proiettore per piscine in cemento o prefabbricate.

### Piscina in cemento

Per collocare un proiettore in una piscina di cemento, si deve incastrare la nicchia (n. 18) nella parete della piscina (Fig. 2). Assicurarsi che l'uscita del cavo dalla nicchia rimanga nella parte superiore.

### Piscina prefabbricata

Per collocare un proiettore in una piscina prefabbricata, si deve realizzare un foro circolare di 240 mm di diametro (Fig. 2).

Collocare la nicchia (n. 18) ed una delle guarnizioni adesiva (n. 19) nel lato esterno della piscina. Nel lato interno, collocare l'altra guarnizione adesiva e fissare i tre elementi con le 2 viti DIN 7981 4,8x16 (n. 22) (Fig. 3). Assicurarsi che l'uscita del cavo dalla nicchia rimanga nella parte superiore.

Per collocare la flangia (n. 21) nel lato interno della piscina, assicurarsi che le teste delle viti DIN 7981 4,8x16, previamente collocate (n. 22), coincidano con lo spazio riservato ad esse nella parte posteriore della flangia.

Fissare la flangia (n. 21) alla parete della piscina usando 16 viti:

DIN 966 M-6x24 punt.(n. 22) se la nicchia é per viti a filetto métrico (Fig. 4).

DIN 7982 5,5x25 (n. 22) se la nicchia é per viti autofilettanti (Fig. 4).

#### 4. MONTAGGIO:

Una volta installata la nicchia, e la flangia nel caso della piscina prefabbricata, si può procedere al montaggio del proiettore. Per collegare il proiettore alla rete elettrica, inserirò il cavo attraverso il dado premistoppa (25), Siringare il dado premistoppa fino ad essere sicuri che tirando il cavo con la mano, questo non ceda. Si deve avere la precauzione di lasciare 1,5 m di cavo arrotolato nel nicchia del proiettore (n. 18) per poter estrarre il proiettore fino al bordo della piscina in caso di manipolazione o cambio della lampada (Fig. 5). Introdurre tutto l'insieme del proiettore nella nicchia (Fig. 6). Per ottenere una buona illuminazione della piscina, è importante che l'anagramma dell'anelo ornamentale (n. 1) rimanga situato nella parte superiore (Fig 7). Avvitare le due viti Ivl-6x80 (n. 2) fino a che la graffa di fissaggio rimanga fissata nelle pareti interne della nicchia (Fig. 8).

#### 5. MANUTENZIONE:

Questo proiettore non necessita di alcun genere di manutenzione; se si rileva che il proiettore non funziona in maniera corretta, per favore rivolgetevi al nostro reparto per il consumatore. Per nessun concetto è permesso manipolare l'interno del proiettore. Ogni proiettore che sia stato manipolato perderà la sua garanzia. Se si desidera estrarre il proiettore dalla piscina, l'operazione dovrà essere realizzata da personale che sia in possesso della qualifica necessaria per svolgere questo genere di lavori. Per estrarre il proiettore fino al bordo della piscina (Fig. 5), allentare le due viti DIN 966 M-6x80 (n. 2) fino a che la graffa di fissaggio ceda sufficientemente per poter separare l'insieme del proiettore dalla nicchia.

#### Attenzione:

- Prima di qualsiasi manipolazione, assicurarsi che il proiettore NON riceva corrente.

#### 6. SISTEMI DI CONTROLLO DEI PROIETTORI A LED

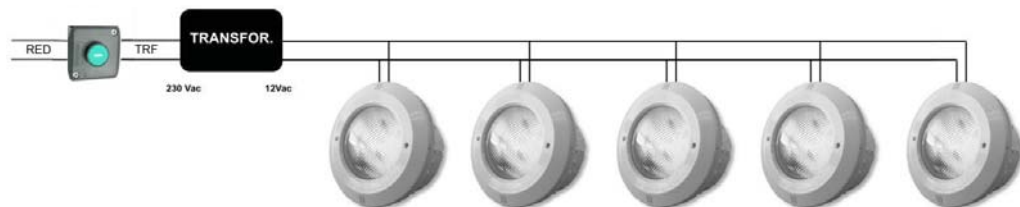
Il controllo dei proiettori a LED si può realizzare per mezzo di due sistemi diversi: mediante un pulsante normalmente chiuso oppure mediante il ricevitore modulare e/o il controllo a distanza. In entrambi i casi si renderà necessario assicurarsi che la tensione che riceva la lampada non sia superiore a 12 V, per nessun concetto. Il proiettore deve funzionare unicamente sotto l'acqua, fissato alle pareti verticali della piscina. Il faretto è dotato di una protezione termica che, nel caso di un eccesso di temperatura, riduce il livello d'illuminazione allo scopo di evitare dei surriscaldamenti.

##### 6.1. Colorplus ECO: controllo mediante pulsante

Il sistema dispone di **14 modalità di funzionamento: 7 colori fissi e 7 sequenze di colori diversi** (vedi paragrafo 6.1.2.). Per ogni pressione breve del pulsante si effettuerà un cambio di colore o di sequenza. Con una pressione lunga si passerà/anno il/i proiettore/i sul colore bianco.

##### 6.1.1 Diagramma di connessione elettrica

Il sistema Colorplus Eco è composto dal/i proiettore/i, il trasformatore e il pulsante normalmente chiuso (NC). Il trasformatore deve essere dimensionato in maniera tale da fornire 45 VA per ogni faretto a led che venga allacciato. Per esempio, se si desidera controllare 6 faretti, si renderà necessario connetterli in parallelo ad un trasformatore con un minimo di 270 VA. Il pulsante dovrà essere dimensionato in maniera tale da sopportare la potenza consumata dal numero di proiettori dell'installazione.



##### 6.1.2. Modalità di funzionamento

L'insieme Color Plus Basic permette di creare vari scenari luminosi all'interno della piscina, con due diverse possibilità di funzionamento:

**Colore fisso:** selezione di un colore fisso tra sette possibilità.

N° DE COLORE	% ROSSO	% BLU	% VERDE	COLORE
1	100	100	100	Bianco
2	100	0	0	Rosso
3	0	100	0	Blu
4	0	0	100	Verde
5	100	100	0	Porpora
6	0	100	100	Ciano
7	100	0	100	Giallo

**Sequenza automatica di colori:** selezione tra nove programmi della sequenza di colori. Ogni programma viene definito dal tempo di presenza di ogni colore e la durata della transizione da un colore all'altro, in base alla seguente tabella:

SEQUENZA	ORDINE DEI COLORI						TEMPORIZZAZIONE DI COLORE (SEC.)	TEMPORIZZAZIONE DI MISCELA (SEC.)
1	Rosso	Blu	Verde	Porpora	Ciano	Giallo	2	2
2	Rosso	Verde	Ciano	Blu	Porpora	Giallo	4	4
3	Porpora	Ciano	Giallo	-	-	-	4	4
4	Rosso	Blu	Verde	-	-	-	8	8
5	Porpora	Ciano	Giallo	-	-	-	18	18
6	Giallo	Porpora	Ciano	-	-	-	0,5	0,5
7	Verde	Rosso	Blu	-	-	-	0,5	0,5

Mediante ogni pressione del pulsante si realizzerà un cambio di colore o di sequenza. Il ciclo di colori e sequenze è rotativo. Se per esempio abbiamo il colore 5, alla seguente pressione si otterrà il colore 6, e se si preme di nuovo si otterrà la sequenza 7. se ci troviamo nella sequenza 7, alla seguente pressione si otterrà il colore 2 che corrisponde al rosso.

Il colore 1, corrisponde al colore bianco e si ottiene mediante una pressione lunga.

## 6.2. Colorplus TOP: controllo mediante il ricevitore – modulatore e/o il controllo a distanza

Il sistema dispone di **21 modalità di funzionamento: 12 colori fissi e 9 sequenze di colori diversi** (vedi paragrafo 6.2.2).

Mediante il Ricevitore - modulatore si controlla l'accensione e lo spegnimento dei faretto, il cambio dei colori e delle sequenze e un timer per lo spegnimento.

In caso di disporre di controllo a distanza, oltre a realizzare le funzioni del ricevitore – modulatore, il comando a distanza consente di attivare o disattivare la presenza dei colori che compongono una sequenza e selezionare il tempo del timer di spegnimento.

### 6.2.1 Diagramma di connessione elettrica

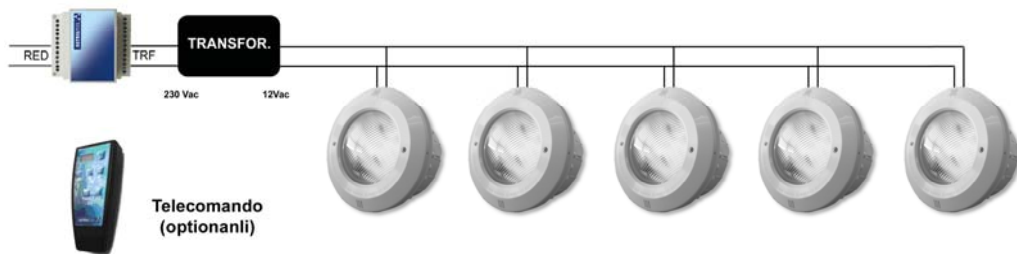
Per una corretta installazione, si renderà necessario disporre del ricevitore – modulatore, del trasformatore e del faro a led. In forma opzionale, questo sistema può essere controllato con un controllo a distanza. Per maggiori informazioni in merito alla installazione del ricevitore – modulatore, consultare il paragrafo 6.2.3 Il paragrafo 6.2.4 contiene informazioni riguardanti il controllo a distanza.

Il Ricevitore-Modulatore si connette alla rete elettrica da 230 Vac per mezzo dei due morsetti indicati come RETE e si connette al primario del trasformatore (230 Vac) per mezzo dei morsetti indicati con TRF. (Vedi schema allegato).

Ogni Ricevitore-Modulatore, può controllare fino a che un massimo di cinque ribalte.

Il trasformatore deve essere dimensionato in maniera tale da fornire 45 VA per ogni faro a led che si connetta. Per esempio, se si desidera controllare 5 fari, si renderà necessario connetterli in parallelo a un trasformatore con un minimo di 270 VA.

**Ogni ricevitore – modulatore può controllare fino ad un massimo di 15 faretto a LED.**



Dopo aver effettuato la connessione elettrica, per la prima messa in funzione del proiettore si dovrà procedere nella seguente maniera:

- Dare alimentazione all'insieme attivando i 230 V AC all'entrata del ricevitore – modulatore e questo si sintonizzerà in maniera automatica con il trasformatore. Il led verde del Ricevitore-Modulatore comincerà a lampeggiare con una cadenza di 2 sec. e il faro rimarrà spento.
- **Impostazione del telecomando**
  - Premere a lungo il tasto OFF del Ricevitore-Modulatore, il led verde comincerà a lampeggiare rapidamente indicando che è attivata la funzione di apprendimento.
  - Accendere il telecomando e premere qualsiasi tasto. Nel caso in cui si disponga di più telecomandi, si renderà necessario ripetere l'operazione affinché il Ricevitore-Modulatore possa riconoscerli tutti come impostati, fino ad un numero massimo di otto.

### 6.2.2 Tipi d'illuminazione

Il gruppo **Telecomando – Ricevitore / Modulatore – Trasformatore – Proiettore a led**, consente di creare diversi scenari luminosi all'interno della piscina, con due possibilità di funzionamento:

**Colore fisso:** selezione di un colore fisso tra dodici possibili.

N° DI COLORE	% ROSSO	% BLU	% VERDE	COLORE
1	100	0	0	Rosso
2	0	100	0	Blu
3	0	0	100	Verde
4	100	50	0	Magenta
5	100	0	50	Giallo tenue
6	0	100	50	Ciano bluastro
7	0	50	100	Ciano verdastro
8	100	100	0	Porpora
9	0	100	100	Ciano
10	100	0	100	Giallo
11	100	100	50	Bianco bluastro
12	100	50	100	Bianco Verdastro

**Sequenza automatica di colori:** selezione tra nove programmi della sequenza di colori. Ogni programma viene definito dal tempo di presenza di ogni colore e la durata della transizione da un colore all'altro, in base alla seguente tabella:

SEQUENZA	TEMPORIZZAZIONE DI COLORE (SEC.)	TEMPORIZZAZIONE DI MISCELA (SEC.)
1	4	1
2	8	8
3	15	4
4	15	15
5	30	8
6	30	30
7	60	15
8	60	60
9	120	60

Per esempio, il programma 5 indica che ogni colore rimane per 30 secondi, 22 dei quali presentano un colore fisso e 8 vengono impiegati per realizzare la transizione al seguente colore. Il programma 8 indica che i 60 secondi corrispondenti ad ogni colore si utilizzano per realizzare la transizione al seguente.

I colori che intervengono nella sequenza si possono selezionare tra i 12 colori fissi, e per inserirli nella sequenza il procedimento da seguire è il seguente:

- Dal telecomando, premendo il tasto COLORE, appare nel display il numero del colore selezionato preceduto dalla lettera "C";
- Premendo il tasto di ATTIVAZIONE si potrà osservare che la lettera "C" va alternando tra maiuscola e minuscola.
- I colori che si attivano con la "C" maiuscola sono quelli che formeranno parte della sequenza.

NOTA: il faro è dotato di una protezione termica, che in caso di eccesso di temperatura serve a ridurre il livello d'illuminazione allo scopo di evitare dei surriscaldamenti.

### 6.2.3 Ricevitore - modulatore (cod. 27818)

Installare il Ricevitore - Modulatore in maniera tale da proteggerlo da ambienti corrosivi, fuori da cassette metalliche e lontano da tubature metalliche o cavi elettrici che possano bloccare il segnale di radiofrequenza proveniente dal telecomando.

#### Funzionamento dei pulsanti:

##### OFF:

- Spegne il faro.
- Una pressione lunga (sia se il faro è acceso, sia se è spento) mette il ricevitore nello stato di "apprendimento", che consente di impostare il telecomando con una sola pressione di qualsiasi tasto dello stesso (Vedi paragrafo "Messa in funzionamento")

##### ON / COLORE:

- Se il faro è spento o è in modalità SEQUENZA, questo pulsante accende il faro nella modalità COLORE FISSO. (Il colore attivato sarà l'ultimo colore fisso che sia stato utilizzato)
- Se il faro si trova già in modalità COLORE FISSO, ogni pressione serve a cambiare il colore nell'ambito delle 12 possibilità esistenti.

##### ON / SEQUENZA:

- Se il faro è spento o si trova in modalità COLORE FISSO, questo pulsante accende il faro nella modalità SEQUENZA. (Il programma attivato sarà l'ultimo utilizzato) (I cambi di programma o di colori presenti nella sequenza devono essere realizzati dal telecomando)

##### ON / TIMER:

- Se il faro è spento, questo pulsante lo accende in base all'ultima modalità di funzionamento che è stata utilizzata e attiva la funzione TIMER facendo in maniera tale che si spenga in forma automatica una volta trascorso il tempo prefissato in precedenza dal telecomando. (I cambi di durata della temporizzazione devono essere realizzati dal telecomando)
- Se il faro si trova in modalità COLORE FISSO o SEQUENZA, attiva la funzione TIMER.



**NOTA: il telecomando deve essere spento quando si stanno utilizzando i pulsanti del Ricevitore – Modulatore.**

**LED indicatore:** osservando il funzionamento del led verde di Ricevitore – Modulatore, si potrà determinare lo stato di funzionamento del faro:

- |                         |   |
|-------------------------|---|
| • Led spento:           | non vi è alimentazione elettrica.         |
| • Lampeggio ogni 2 sec. | faro con i led spenti.                    |
| • Led acceso fisso:     | faro in modalità COLORE FISSO o SEQUENZA. |
| • Intermittenza lenta:  | funzione TIMER attivata.                  |
| • Intermittenza rapida: | funzione APPRENDIMENTO.                   |
| • Lampeggio per 2 sec.  | ricevimento di un ordine dal telecomando. |

### 6.2.4 Telecomando (cod. 27817)

Caratteristiche tecniche:	Frequenza di funzionamento:	433 MHz
	Portata in campo aperto:	50 m.
	Batteria:	9 V dc tipo 6LR61.

#### Descrizione della tastiera:

**Tasto ON / OFF:** se il telecomando è spento, si accende inviando l'ultimo ordine eseguito. Se era spento, si spegne il telecomando senza spegnere il faro. Se si rimane per più di un minuto senza spingere alcun tasto, si spegnerà.

**Tasto COL (COLORE):** attiva la modalità COLORE FISSO e per mezzo di pressioni successive consente di selezionare un colore dalla seguente tabella:

Nel display apparirà: C01, C02 .....C12 in funzione del colore selezionato.

**Tasto SEC (SEQUENZA):** attiva la MODALITÀ SEQUENZA e permette di selezionare uno tra i nove diversi programmi. Ogni programma è definito da una temporizzazione che determina il lasso di tempo durante il quale il colore è presente e un'altra temporizzazione che determina il tempo di miscela e transizione al seguente colore.

Nel display apparirà: P-1, P-2 .....P-9, in funzione del programma selezionato.

**Tasto ACT (ATTIVANTE DI COLORE):** serve ad attivare o disattivare la presenza dei colori che compongono la sequenza. Il numero massimo di colori permesso nella sequenza è di 12, e se si desidera che alcuni di questi colori non formino parte della sequenza si potrà disattivarli per mezzo di questo tasto.

Quando il colore è attivato, si presenta nel display con la C maiuscola mentre se è disattivato appare con una c minuscola. Esempio: C05 (attivato) o c05 (invalido).

**Tasto TIMER (SPEGNIMENTO AUTOMATICO):** attiva il timer di spegnimento automatico. A ogni pressione che si effettuerà, nel display apparirà il tempo che deve trascorrere fino allo spegnimento. (15, 30, 60, 90, 120 e 180 minuti.) Una volta attivato lo spegnimento automatico, lo si potrà disattivare spegnendo il faro con il tasto OFF.

Quando si attiva il TIMER, il faro si spegne per un secondo, a indicazione dell'attivazione.

Serve per spegnere il faro. Allo stesso tempo si spegnerà il telecomando.

**NOTA: gli ordini del telecomando hanno la preferenza su quelli del Modulatore – Ricevitore.**

### 7. AVVERTENZE DI SICUREZZA:

- Le persone che si incaricano del montaggio devono avere la qualifica necessaria per questo tipo di lavoro.
- SI deve evitare di entrare in contatto con la tensione elettrica.
- SI devono rispettare le norme vigenti per la prevenzione d'incidenti,
- A tal proposito, si devono rispettare le norme IEC 364-7-702: INSTALLAZIONI ELETTRICHE IN EDIFICI. INSTALLAZIONI SPECIALI. PISCINE.
- Qualsiasi operazione di manutenzione o sostituzione di pezzi deve essere realizzata con il proiettore scollegato dalla rete.
- No operare con i piedi bagnati.

### 8. INFORMAZIONI AMBIENTALI

Trattamento di apparecchi elettrici ed elettronici al termine della loro vita utile (Solo applicabile nella U.E.)



Nostrì prodotti sono concepiti e realizzati con materiali e componenti di elevata qualità, che rispettano l'ambiente e che possono essere riutilizzati e riciclati. Questo simbolo, riportato sul suo apparecchio o sull'imballo dello stesso, significa che questo apparecchio non può essere trattato come un normale residuo domestico. Lei dovrà consegnarlo al tecnico che installi il nuovo apparecchio oppure depositarlo negli appositi punti di raccolta per apparecchi elettrici ed elettronici. La gestione del riciclaggio di questo apparecchio è completamente gratuita per lei, e separando questo apparecchio dal resto dei residui lei starà contribuendo ad evitare conseguenze negative per l'ambiente e per la salute delle persone, evitando una manipolazione non corretta. Ci aiuti a conservare l'ambiente, grazie.

Per ricevere maggiori e più dettagliate informazioni su come realizzare lo smontaggio corretto di questo apparecchio per il suo riciclaggio, potrà mettersi in contatto con noi scrivendoci a [quality@sacopa.com](mailto:quality@sacopa.com)



# CERTIFICATO DI GARANZIA

## 1. ASPETTI GENERALI

---

- 1.1 Ai sensi di queste disposizioni, il venditore garantisce che il prodotto Astral corrispondente a questa garanzia (Generatore Fibra Ottica) non presenta alcun difetto di conformità al momento della sua consegna.
- 1.2 Il Periodo di Garanzia per il Prodotto è di due (2) anni a decorrere dal momento della consegna dello stesso all'acquirente.
- 1.3 Nel caso in cui si venisse a produrre un difetto di conformità del Prodotto e l'acquirente lo notificasse al venditore entro il Periodo di Garanzia, il venditore dovrà riparare o sostituire il Prodotto a sue spese nel luogo che consideri opportuno, salvo che ciò risulti impossibile o sproporzionato.
- 1.4 Qualora non fosse possibile riparare o sostituire il Prodotto, l'acquirente potrà richiedere una riduzione proporzionale del prezzo o, nel caso in cui il difetto di conformità fosse sufficientemente importante, lo scioglimento del contratto di vendita.
- 1.5 Le parti sostituite o riparate in virtù della presente garanzia non rappresenteranno un prolungamento della scadenza della garanzia del Prodotto originale, quantunque disporranno di una loro propria garanzia.
- 1.6 Affinché la presente possa essere valida, l'acquirente dovrà attestare la data di acquisto e consegna di del Prodotto.
- 1.7 Una volta trascorsi più di sei mesi dalla consegna del Prodotto all'acquirente, qualora quest'ultimo dichiara un difetto di conformità del medesimo, l'acquirente dovrà attestare l'origine e l'esistenza del difetto dichiarato.
- 1.8 Il presente Certificato di Garanzia non limita o preclude i diritti che corrispondano ai consumatori in virtù delle norme nazionale di carattere imperativo.

## 2. CONDIZIONI PARTICOLARI

---

- 2.1 La presente garanzia copre i seguenti prodotti e famiglie di prodotti Astral: Generatori a Fibra Ottica.
- 2.2 Il presente Certificato di Garanzia avrà vigore unicamente nell'ambito dei paesi dell'Unione Europea.
- 2.3 Per la validità di questa garanzia, l'acquirente dovrà rispettare in maniera rigorosa le indicazioni del Fabbricante indicate nella documentazione che viene allegata al Prodotto, quando questa risulti applicabile secondo la gamma e il modello del Prodotto.
- 2.4 Nel caso in cui venga specificato un calendario per la sostituzione, la manutenzione o la pulizia di determinati pezzi o componenti del Prodotto, la garanzia sarà valida solo quando qualora detto calendario sia stato rispettato in maniera corretta.

## 3. LIMITAZIONI

---

- 3.1 La presente garanzia sarà valida unicamente per le vendite realizzate a consumatori, laddove per "consumatori" s'intende quella persona che acquista il Prodotto con scopi che non rientrano nell'ambito della sua attività professionale.
- 3.2 Non viene concessa alcuna garanzia nei riguardi del normale consumo per uso del prodotto. In merito ai pezzi, ai componenti e/o ai materiali fusibili o consumabili come pile, lampadine, ecc., ove sussista si applicherà quanto disposto nella documentazione che è allegata al Prodotto.
- 3.3 La garanzia non copre i casi in cui il Prodotto: (I) sia stato oggetto di un uso non corretto; (II) sia stato riparato, manipolato o la manutenzione sia stata effettuata da una persona non autorizzata; (III) sia stato riparato o la manutenzione sia stata effettuata con pezzi non originali o (IV) sia stato installato o messo in marcia in maniera non corretta.
- 3.4 Qualora il difetto di conformità del Prodotto sia conseguenza di una installazione o messa in marcia non corretta, la presente garanzia risponderà solo nel caso in cui la suddetta installazione o messa in marcia sia compresa nel contratto di compravendita del Prodotto e sia stata realizzata dal venditore o sotto la sua responsabilità.

**WICHTIG:** Das Handbuch mit den Betriebsanleitungen, das Sie in Händen halten, enthält wichtige Information über die anzuwendenden Sicherheitsmaßnahmen für die Installation und Inbetriebnahme. Es ist daher unerlässlich, daß die Anweisungen vom Installateur und vom Benutzer vor der Montage und Inbetriebnahme aufmerksam durchgelesen werden. Bewahren Sie dieses Handbuch auf, falls Sie zu einem späteren Zeitpunkt Informationen über die Funktion dieses Apparates nachschlagen

Um die beste Leistung des flachen Standardausführung unterwasser-scheinwerfer mit led-anzeige, zu erzielen, empfiehlt es sich, die nachfolgenden anweisungen zu befolgen:

## 1. ÜBERPRÜFEN SIE DEN INHALT DES PACKSTÜCKES:

Im Inneren der Kiste befindet sich folgendes Zubehör.

### Projektor für Betonschwimmbecken

Körper für Nische  
Projektorgruppe

### Projektor für Fertigschwimmbecken

Körper für Nische  
2 Dichtungen  
Flansch  
Projektorgruppe  
Tasche Schrauben: 2 Schrauben DIN 7981 A2 4,8x16  
16 Schrauben DIN 966 A2M-6x24 (1)  
16 Schrauben DIN 7982 5,5x25 (2)

- (1) Für Projektoren mit Nischen mit metrischem Gewinde  
(2) Für Projektoren mit Nischen mit selbstschneidendem Gewinde

## 2. ALLGEMEINE KENNZEICHEN:

Dieser Projektor wurde so entworfen, dass er in Schwimmbäder mit Süßwasser vollständig eingetaucht werden kann. Es handelt sich um einen elektrischen Apparat der Klasse III mit Sicherheitsniedrigspannung (12 V mit Wechselstrom).

Der Projektor entspricht der Schutzklasse IPX8 (Schutz gegen das Eindringen von Staub, Festkörpern und Feuchtigkeit) mit einer nominalen Eintauchtiefe von 2 m.

Dieser Projektor erfüllt die internationalen Sicherheitsnormen für Lampen, vor allem die Norm EN-60598-2-18: LEUCHTEN TEIL 2: BESONDERE ANFORDERUNGEN SEKTION 18 LEUCHTEN FÜR SCHWIMMBECKEN UND ÄHNLICHE ANWENDUNGEN.

Zur korrekten Installation muss der Stromanschluss über eine Schutzvorrichtung über Fehlstrom mit einer Höchststärke von 30 mA verfügen. Der Netztransformator dieser Scheinwerfer muss ein sicherer Trenntrafo mit getrennter Wicklung sein.

Der Hersteller haftet in keinem Fall für Montagen, Installationen oder Inbetriebnahmen oder für jegliche Handhabung oder den Einbau von elektrischen Komponenten, die nicht im Werk des Herstellers erfolgten.

## 3. MONTAGE:

- Um eine ausreichende Beleuchtung des Schwimmbeckens zu erzielen, empfehlen wir, einen Projektor jeweils alle 20 m<sup>2</sup> Oberfläche zu installieren. In besonders tiefen Schwimmbecken muss ein Projektor für alle 25 m<sup>2</sup> Wasservolumen installiert werden.
- Damit die Projektoren nicht blenden, müssen sie so montiert werden, dass sie in Gegenrichtung des Hauses oder der normalen Blickrichtung zum Swimmingpool leuchten.
- Falls Beleuchtung in professionellen Schwimmbädern für Wettkämpfe oder Training benutzt wird, sollten die Projektoren an den Seiten montiert werden, damit die Schwimmer nicht geblendet werden.
- Die Projektoren sollten gut zugänglich am oberen Rand des Schwimmbeckens montiert werden, damit das Schwimmbad für ihre Instandhaltung nicht geleert werden muss.
- **Bei Anlagen, in denen ein normaler Scheinwerfer gegen einen Scheinwerfer mit LEDs unter Benutzung der bestehenden Verkabelung ausgetauscht werden soll, wird empfohlen, Unterwasseranschlüsse aus Harz zu benutzen. Die Benutzung von Silikon zum Abdichten der Verbindungsstellen der Kabel ist weniger empfehlenswert. Am Scheinwerfer dürfen keine Eingriffe durchgeführt werden; durch unbefugte Eingriffe erlöscht die Garantie.**

Vor der Montage muss überprüft werden, ob der Körper der Stopfbuchse (Nr. 24 oder 28) gut angezogen ist.

Der Projektor sollte ungefähr 400 – 300 mm von der Wasseroberfläche entfernt an einer Wand des Schwimmbeckens angebracht werden (Abb. 1)

Die Befestigungsmethode der Nische des Projektors an der Schwimmbadwand ändert sich, je nachdem, ob es sich um ein Betonschwimmbecken oder ein Fertigbecken handelt.

### Betonschwimmbecken

Um einen Projektor in einem Betonschwimmbecken aufzuhängen, muss die Nische (Nr. 18) in die Schwimmbeckenwand (Abb. 2) eingebaut werden.

Stellen Sie sicher, dass der Kabelausgang der Nische sich oben befindet.

### Fertigbecken

Um einen Projektor in einem Fertigbecken anzubringen, muss ein rundes Loch mit einem Durchmesser von 240 mm geöffnet werden.

Die Nische (Nr. 18) und eine der Klebedichtungen (Nr. 19) an en am Schwimmbecken anbringen. Innen wird die andere Klebedichtung angebracht und die drei Elemente werden mit den zwei Schrauben DIN 7981 4,8 x 16 (Nr. 22) (Abb. 3) befestigt. Stellen Sie sicher, dass der Kabelausgang der Nische sich oben befindet.

Vor dem Anbringen des Flansches (Nr. 21) innen im Schwimmbecken versichern Sie sich zunächst, ob die Köpfe der Schrauben DIN 7981 4,8x16, die bereits angebracht wurden (Nr. 22) mit dem Loch übereinstimmen, das für sie hinten am Flansch vorgesehen ist.

Den Flansch (Nr. 21) mit 16 Schrauben an der Wand befestigen:

DIN 966 M-6x24 Punkt (Nr. 22), wenn die Nische für die Schrauben ein metrisches Gewinde hat (Abb. 4).  
DIN 7982 5,5x25 (Nr. 22), wenn die Nische für die Schrauben ein selbstschneidendes Gewinde hat (Abb. 4).

#### 4. MONTAGE:

Sobald die Nische montiert ist, und im Falle des Fertigbeckens der Flansch, kann der Projektor montiert werden. Um den Projektor an das Stromnetz anzuschließen, muss das Kabel durch die Stopfbuchsenmutter eingeführt werden (25) Die Stopfbuchsenmutter so fest anziehen, dass das Kabel beim Ziehen mit der Hand nicht mehr nachgibt. Achten Sie darauf, dass 1,5 m des zusammengerollten Kabels in der Nische des Projektors bleiben (Nr. 18), damit der Projektor bis zum Schwimmbadrand gezogen werden kann, falls Instandhaltung erforderlich ist oder die Lampe gewechselt werden muss (Abb. 5). Damit das Schwimmbad gut beleuchtet ist, muss sich die Beschriftung des Zierrings (Nr. 1) oben befinden (Abb. 7). Die beiden Schrauben M-6x80 (Nr. 2) solange drehen, bis die Befestigungsklammer in den Innenwänden der Nische (Abb. 8) verankert ist.

#### 5. WARTUNG:

An diesem Projektor muss keinerlei Instandhaltung durchgeführt werden. Wenn Sie feststellen, dass er nicht korrekt funktioniert, wenden Sie sich bitte an unsere Kundendienstabteilung.

Im Inneren des Projektors dürfen keine Eingriffe vorgenommen werden. Falls Eingriffe am Projektor vorgenommen wurden, erlischt die Garantie.

Nur Fachpersonal sollte den Scheinwerfer aus dem Schwimmbecken entfernen.

Um den Strahler bis zum Poolrand herausnehmen zu können (Abb. 5), müssen die 2 Schrauben DIN 966 M-6x80 (Nr. 2) gelockert werden, bis die Befestigungsklammer genügend nachgibt, um die Strahlereinheit aus der Nische herausnehmen zu können.

#### Achtung:

- Vor jeder Art Handhabung muß man sich vergewissern, daß die Stromzufuhr zum Strahler UNTERBROCHEN Ist.

#### 6. STEUERSYSTEME FÜR PROJEKTOREN MIT LEDS:

Die Steuerung der Projektoren mit LEDS kann durch zwei Systeme erfolgen: Über einen Schalter, der normalerweise geschlossen ist, oder über einen modularen Empfänger und/oder die Fernbedienung.

In beiden Fällen darf die Lampe niemals einer Spannung von über 12 V ausgesetzt werden.

Der Scheinwerfer darf nur unter Wasser und an den Seitenwänden des Schwimmbeckens befestigt benutzt werden. Der Scheinwerfer verfügt über eine Wärmeschutzvorrichtung, die im Falle zu hoher Temperaturen die Beleuchtung herunterschaltet, um eine Überhitzung zu vermeiden.

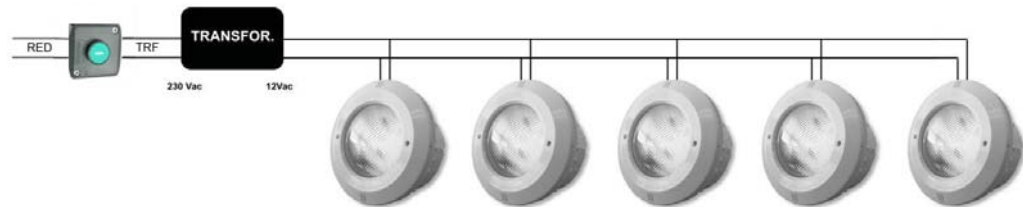
##### 6.1. Colorplus ECO: Steuerung über Schalter

Das System verfügt über **14 Funktionsmodus: 7 feste Farben und 7 Sequenzen verschiedener Farben** (siehe Absatz 6.1.2). Mit jedem Schalterdruck wird eine Farb- oder Sequenzänderung durchgeführt. Durch einen langen Schalterdruck wird/werden der/die Projektor/en auf die Farbe Weiß gestellt.

##### 6.1.1 Elektrischer Schaltplan

Das System Colorplus ECO besteht aus dem/den Projektor/en, dem Transformator und dem normalerweise geschlossenen Schalter (NC).

Der Transformator muss für 45 VA für jeden angeschlossenen Scheinwerfer mit Leds ausgerichtet sein. Wenn Sie zum Beispiel 6 Scheinwerfer steuern möchten, müssen Sie diese parallel an einen Transformator mit mindestens 270 VA anschließen. Der Schalter muss für die notwendige Leistung der Anzahl der installierten Projektoren geeignet sein.



##### 6.1.2 Funktionsmodus

Mit dem Projektor Colorplus ECO können verschieden beleuchtete Atmosphären im Swimmingpool geschaffen werden. Dazu gibt es zwei verschiedene Funktionen:

**Feste Farbe:** Auswahl einer festen Farbe unter sieben Möglichkeiten.

FARBNUMMER	% ROT	% BLAU	% GRÜN	FARBE
1	100	100	100	Weiß
2	100	0	0	Rot
3	0	100	0	Blau
4	0	0	100	Grün
5	100	100	0	Purpurrot
6	0	100	100	Cyan

7	100	0	100	Gelb
---	-----	---	-----	------

**Automatische Farbfolge:** Auswahl unter neun Programmen für Farbfolgen. Jedes Programm ist durch die Zeit, in der die jeweilige Farbe präsent ist, definiert, und auch durch die Dauer des Übergangs von einer Farbe in die andere. Im folgenden finden Sie eine entsprechende Tabelle:

SEQUENZ	REIHENFOLGE DER FARBEN						ZEIT DER FARBE (SEK.)	MISCHZEIT (SEK.)
1	Rot	Blau	Grün	Purpurrot	Cyan	Gelb	2	2
2	Rot	Grün	Cyan	Blau	Purpurrot	Gelb	4	4
3	Purpurrot	Cyan	Gelb	-	-	-	4	4
4	Rot	Blau	Grün	-	-	-	8	8
5	Purpurrot	Cyan	Gelb	-	-	-	18	18
6	Gelb	Purpurrot	Cyan	-	-	-	0,5	0,5
7	Grün	Rot	Blau	-	-	-	0,5	0,5

Mit jedem Schalterdruck wird eine Farb- oder Sequenzänderung durchgeführt. Der Zyklus der Farben oder Sequenzen ist rotierend. Wenn z. B. die Farbe 5 gezeigt wird, wird durch die Schalterbetätigung auf die Farbe 6 geändert, wenn Sie den Schalter wieder drücken, kommen Sie zur Sequenz 7. Wenn die Sequenz 7 eingestellt ist, folgt beim nächsten Schalterdruck die Farbe 2, die der Farbe Rot entspricht.

Die Farbe 1, die der Farbe Weiß entspricht, wird durch einen längeren Schalterdruck eingestellt.

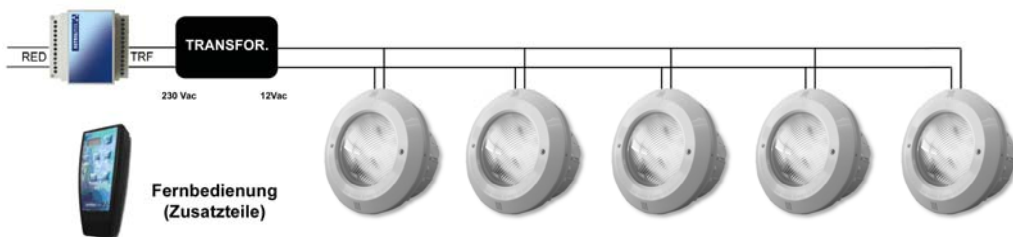
## 6.2. Colorplus TOP: Steuerung über einen Empfänger-Modulator und/oder Fernbedienung

Das System verfügt über **21 Funktionsmodus: 12 feste Farben und 9 Sequenzen verschiedener Farben** (siehe Absatz 6.2.2) Mithilfe des Empfänger-Modulators werden die Scheinwerfer ein- und ausgeschaltet, der Farb- und Sequenzwechsel gesteuert und das automatische Ausschalten wird über einen Zeitschalter eingestellt. Falls eine Fernbedienung vorhanden ist, die die Funktionen des Empfänger-Modulators ausführen kann, kann man mit dieser auch Farben aktivieren oder deaktivieren, die zu einer Sequenz gehören, und die Zeit für das automatische Abschalten einstellen.

### 6.2.1 Elektrischer Schaltplan

Für eine korrekte Montage ist der Empfänger-Modulator, der Transformator und schließlich der Scheinwerfer mit Ledanzeige notwendig. Dieses System kann optional mit einer Fernbedienung gesteuert werden. Weitere Informationen über die Montage des Empfänger-Modulators finden Sie in Absatz 6.2.3. Im Absatz 6.2.4. finden Sie Informationen über die Fernbedienung. Der Empfänger-Modulator wird an ein elektrisches Netz mit 230 VAC mit zwei Klemmen angeschlossen, die mit RED ausgewiesen sind. An die Oberspannungsseite des Transformators (230 VAC) wird er mit den Klemmen angeschlossen, die mit TRF bezeichnet sind. (Siehe beiliegende Abbildung). Empfänger-Modulator, es kann bis ein Maximum von fünf Scheinwerfern kontrollieren. Der Transformator muss für 45 VA für jeden Scheinwerfer mit LED-Anzeige ausgelegt sein. Wenn Sie zum Beispiel 5 Scheinwerfer kontrollieren möchten, müssen Sie diese parallel an einen Transformator mit mindestens 270 VA anschließen.

**Jeder Empfänger-Modulator kann bis zu 15 Scheinwerfer mit Leds steuern.**



Zunächst den elektrischen Anschluss durchführen und dann für die erste Inbetriebnahme wie folgt verfahren:

- Wenn Sie dem Apparat Strom zuführen und die 230 Vac am Eingang des Empfänger-Modulators aktivieren, stellt sich der Empfänger-Modulator automatisch mit dem Transformator ein. Das grün Led des Empfänger-Modulators blinkt alle 2 Sekunden auf und der Scheinwerfer ist aus.
- **Aktivieren der Fernbedienung**
  - Die Taste OFF des Empfänger-Modulators etwas länger gedrückt halten, das grün Led blinkt schnell, um die Funktion Lernen anzuzeigen.
  - Die Fernbedienung einschalten und auf eine beliebige Taste drücken. Falls mehrere Fernbedienungen benutzt werden sollen, wiederholen Sie diese Operation, damit der Empfänger-Modulator alle Fernbedienungen als aktiviert erkennt. Es können höchstens acht Fernbedienungen eingesetzt werden.

### 6.2.2 Arten der Beleuchtung

Die Gruppe **Fernbedienung – Empfänger / Modulator – Transformator Scheinwerfer mit Led-Anzeige** ermöglicht verschiedene Beleuchtungsarten im Inneren des Schwimmbeckens mit zwei Funktionsmöglichkeiten:

**Feste Farbe:** Auswahl einer festen Farbe unter zwölf Möglichkeiten.

FARBNUMMER	ROT	BLAU	GRÜN	FARBE
1	100	0	0	Rot
2	0	100	0	Blau
3	0	0	100	Grün
4	100	50	0	Magentarot
5	100	0	50	Zartgelb
6	0	100	50	Cyan bläulich
7	0	50	100	Cyan grünlich
8	100	100	0	Purpurrot
9	0	100	100	Cyan
10	100	0	100	Gelb
11	100	100	50	Weißblau
12	100	50	100	Weißgrün

**Automatische Farbfolge:** Auswahl unter neun Programmen für Farbfolgen. Jedes Programm ist durch die Zeit, in der die jeweilige Farbe präsent ist, definiert, und auch durch die Dauer des Übergangs von einer Farbe in die andere. Im folgenden finden Sie eine entsprechende Tabelle:

SEQUENZ	ZEIT DER FARBE (SEK.)	MISCHZEIT (SEK.)
1	4	1
2	8	8
3	15	4
4	15	15
5	30	8
6	30	30
7	60	15
8	60	60
9	120	60

So bleibt im Programm 5 z. B. jede Farbe 30 Sekunden lang, davon zeigen 22 Sekunden eine feste Farbe und 8 werden zum Übergang auf die nächste Farbe benutzt. Programm 8 zeigt an, dass die 60 Sekunden für jede Farbe für den Übergang zur nächsten benutzt werden.

Die Farben der Farbfolge können unter 12 festen Farben ausgewählt werden. So werden sie in die Farbfolge eingeschlossen:

- Drücken Sie auf der Fernbedienung die Taste COLOR. Auf dem Display wird die Nummer der gewählten Farbe nach dem Buchstaben „C“ angezeigt.
- Drücken Sie die Taste ACTIVACIÓN. Es wird der Buchstabe „C“ angezeigt, und zwar einmal als Großbuchstabe und dann als Kleinbuchstabe.
- Die Farben, die mit dem Großbuchstaben „C“ aktiviert werden, werden in die Farbfolge aufgenommen.

HINWEIS: Der Scheinwerfer verfügt über eine Wärmeschutzvorrichtung, die im Falle zu hoher Temperaturen die Beleuchtung herunterschaltet, um eine Überhitzung zu vermeiden.

### 6.2.3 Empfänger-Modulator (Cod. 27818)

Installieren Sie den Empfänger-Modulator so, dass er vor Korrosion geschützt ist. Er sollte nicht in Metallkisten oder in der Nähe von Metallrohren oder Elektrokabeln installiert werden, die die Radiofrequenzsignale der Fernbedienung stören könnten.

#### Funktion der Drucktasten:

##### OFF:

- Schaltet den Scheinwerfer aus.
- Durch längeres Drücken (egal, ob der Scheinwerfer ein- oder ausgeschaltet ist), wird der Empfänger in den Status „Lernen“ gebracht. In diesem Status werden die Fernbedienungen durch ein einmaliges Drücken einer beliebigen Taste auf der Fernbedienung angeschlossen. (Siehe Absatz „Inbetriebnahme“)

##### ON / COLOR:

- Wenn der Scheinwerfer ausgeschaltet ist oder sich im Modus FARBFOLGE (SECUENCIA) befindet, wird der Scheinwerfer im Modus FESTE FARBE (COLOR FIJO) eingeschaltet. (die aktivierte Farbe ist die letzte, feste Farbe, die benutzt wurde)
- Wenn sich der Scheinwerfer im Modus FESTE FARBE (COLOR FIJO) befindet, wird mit jedem Tastendruck die Farbe innerhalb der 12 vorhandenen Farben geändert.

##### ON / SECUENCIA:

- Wenn der Scheinwerfer ausgeschaltet ist oder sich im Modus FESTE FARBE (COLOR FIJO) befindet, wird der Scheinwerfer im Modus FARBFOLGE (SECUENCIA) eingeschaltet. (Das zuletzt aktivierte Programm wird dann benutzt). (die Änderungen des Programms oder der in der Farbfolge vorhandenen Farbe wird mit der Fernbedienung durchgeführt)



## ON / TIMER:

- Wenn der Scheinwerfer ausgeschaltet ist, wird er im Modus der benutzten Funktion wieder eingeschaltet und die Funktion TIMER wird aktiviert, die den Scheinwerfer automatisch nach Ablauf der vorher mit der Fernbedienung eingestellten Zeit wieder ausschaltet. (Änderungen der im Timer eingestellten Zeit werden mit der Fernbedienung durchgeführt)
- Wenn der Scheinwerfer im Modus FESTE FARBE oder SECUENCIA ist, wird die Funktion TIMER aktiviert.

**HINWEIS: Die Fernbedienung muss ausgeschaltet sein, wenn die Drucktasten am Empfänger-Modulator benutzt werden.**

**Anzeige LED:** Das rote Led des Empfänger-Modulators zeigt den Funktionsstatus des Scheinwerfers an.

- Led ausgeschaltet: Keine elektrische Spannung.
- Blinkt alle 2 Sek. Scheinwerfer mit den Leds ausgeschaltet.
- Led leuchtet durchgehend: Scheinwerfer im Modus FESTE FARBE oder FARBFOLGE.
- Langsames Blinken: Funktion Timer aktiviert.
- Schnelles Blinken: Funktion LERNEN.
- Blinkt 2 Sek. lang. Erhalt von Befehlen von der Fernbedienung.

### 6.2.4 Fernbedienung (Cod. 27817)

Technische Eigenschaften:	Funktionsfrequenz:	433 MHz
	Reichweite im Freien:	50 m.
	Batterie:	9 Vdc Typ 6LR61.

### Beschreibung des Tastenfeldes:

**Taste ON / OFF:** Wenn die Fernbedienung ausgeschaltet ist, sendet sie beim Einschalten den zuletzt durchgeführten Befehl. Wenn sie eingeschaltet ist, schaltet sich die Fernbedienung aus, ohne den Scheinwerfer auszuschalten. Wenn man länger als eine Minute keine Taste drückt, schaltet sie sich ab.

**Taste COL (FARBE):** Aktiviert den Modus FESTE FARBE (COLOR FIJO) und durch mehrfaches Drücken kann eine Farbe in der folgenden Tabelle ausgewählt werden:

Auf dem Display wird: C01, C02 .....C12 je nach gewählter Farbe angezeigt.

**Taste SEC (FARBFOLGE):** Aktiviert den MODUS FARBFOLGE und Sie können unter neun Programmen wählen. Jedes Programm wird durch Zeiteinstellungen definiert, die erste bestimmt die Dauer einer Farbe und die zweite die Mischzeit und Übergangszeit zur nächsten Farbe.

Auf dem Display wird P-1, P-2 .....P-9 je nach gewähltem Programm angezeigt.

**Taste ACT (FARBAKTIVIERER):** Die Präsenz von Farben in der Farbfolge kann aktiviert oder deaktiviert werden. Es können höchstens zwölf Farben vorhanden sein. Falls Sie Farben aus der Farbfolge ausschließen wollten, können Sie diese mithilfe dieser Taste eliminieren.

Wenn die Farbe aktiviert ist, wird auf dem Display der Großbuchstabe C angezeigt, wenn sie deaktiviert ist, erscheint ein Kleinbuchstabe. Beispiel: C05 (aktiviert) oder c05 (lahmgelegt).

**Taste TIMER (AUTOMATISCHES ABSCHALTEN):** Aktiviert den Timer für das automatische Abschalten. Nach jedem Tastendruck erscheint auf dem Display die Zeit, die vor dem Ausschalten vergangen ist. (15, 30, 60, 90, 120 und 180 Minuten.) Wenn die automatische Abschaltung aktiviert ist, kann sie deaktiviert werden, indem den Scheinwerfer mit der Taste OFF abschaltet.

Wenn der TIMER aktiviert wird, schaltet sich der Scheinwerfer eine Sekunde ab, um die Aktivierung des Timers anzuzeigen. Damit wird der Scheinwerfer ausgeschaltet. Gleichzeitig schaltet sich die Fernbedienung ab.



**HINWEIS: Die Befehle der Fernbedienung haben Vorrang vor denen des Modulator-Empfängers.**

## 7. SICHERHEITSVORSCHRIFTEN:

- Die mit der Montage beauftragten Personen müssen über die für diese Art Arbeiten erforderliche Qualifizierung verfügen.
- Der Kontakt mit der Elektrospannung muß vermieden werden.
- Die für die Vermeidung von Unfällen gültigen Normen müssen beachtet werden.
- Zu diesem Zweck müssen die Normen IEC 364-7-702: ELEKTROINSTALLATIONEN IN GEBÄUDEN.
- SPEZIALINSTALLATIONEN. SWIMMINGPOOLS angewendet werden.
- Jede Art Wartung oder Auslausch von Teilen darf nur vorgenommen werden, wenn der Strahler von der Stromzufuhr abgespalten ist.- Am Strahler darf nie gearbeitet werden, wenn die Füße naß sind.

## 8. UMWELTINFORMATION

Behandlung von elektrischen und elektronischen Geräten nach ihrer Abnutzung (nur innerhalb der EG anwendbar)



Unsere Produkte bestehen aus Materialien und Komponenten hoher Qualität, die umweltfreundlich sind und wieder benutzt oder recycelt werden können. Dieses Symbol, das Sie auf dem Gerät oder der Verpackung finden, gibt an, dass dieses Gerät nicht wie normaler Haushaltsabfall behandelt werden darf. Bitte übergeben Sie das Gerät dem Techniker, der das neue Gerät montiert oder geben Sie es an einer Recyclingstelle für elektrische und elektronische Geräte ab. Das Recycling dieses Gerätes ist für Sie mit keinerlei Kosten verbunden, und indem Sie dieses Gerät vom übrigen Abfall trennen, tragen Sie dazu bei, die Umwelt und die Gesundheit ihrer Mitmenschen zu schützen, weil so die falsche Entsorgung vermieden wird. Helfen Sie uns, die Umwelt zu schützen. Danke!

Falls Sie genauere Information über die korrekte Demontage des Gerätes für die Wiederverwertung wünschen, setzen Sie sich unter der E-Mail-Adresse [quality@sacopa.com](mailto:quality@sacopa.com) mit uns in Verbindung.

## GARANTIEZERTIFAT

### 1. ALLGEMEINE ASPEKTE

---

- 1.1 In Übereinstimmung mit diesen Verfügungen garantiert der Verkäufer, dass das Produkt Astral, für das diese Garantie gilt (Generator Glasfaser), keinerlei Schäden oder Mängel zum Zeitpunkt der Übergabe aufweist.
- 1.2 Die Garantiezeit für das Produkt beträgt zwei (2) Jahre und wird ab dem Moment seiner Übergabe beim Käufer berechnet.
- 1.3 Falls ein Fehler oder Mangel bei dem Produkt auftritt und der Käufer dies dem Verkäufer während der Garantiezeit mitteilt, muss der Verkäufer das Produkt auf seine eigenen Kosten und an dem Ort, den er als dazu geeignet erachtet, reparieren oder austauschen, es sei denn, dies ist unmöglich oder unverhältnismäßig.
- 1.4 Wenn das Produkt nicht repariert oder ausgetauscht werden kann, kann der Käufer eine proportionale Preisminderung beantragen, oder falls der Mangel oder Schaden dazu groß genug ist, die Auflösung des Kaufvertrages.
- 1.5 Die aufgrund dieser Garantie ausgetauschten oder reparierten Teile verlängern die Garantiezeit des Originalproduktes nicht, allerdings gibt es für diese Teile eine eigene Garantie.
- 1.6 Damit die vorliegende Garantie wirksam wird, muss der Verkäufer das Kauf- und Lieferdatum des Produktes belegen.
- 1.7 Wenn mehr als sechs Monate seit der Lieferung des Produktes beim Verkäufer vergangen sind und dieser einen Mangel oder Schaden am Produkt aufführt, muss der Käufer die Ursache und die Existenz des genannten Schadens oder Mangels belegen.
- 1.8 Das vorliegende Garantiezertifikat begrenzt oder schränkt die Rechte nicht ein, die dem Verbraucher aufgrund nationaler Normen mit zwingendem Charakter zustehen.

### 2. BESONDERE BEDINGUNGEN

---

- 2.1 Die vorliegende Garantie erstreckt sich über die folgenden Produkte und Produktfamilien Astral: Generatoren Glasfaser.
- 2.2 Das vorliegende Garantiezertifikat kann einzig und allein in Ländern der Europäischen Gemeinschaft angewandt werden.
- 2.3 Damit diese Garantie wirksam wird, muss der Käufer streng die Anweisungen des Herstellers beachten, die in der produktbegleitenden Dokumentation enthalten sind, falls diese auf das jeweilige Modell und die jeweilige Produktreihe anwendbar sind.
- 2.4. Wenn ein Zeitplan für den Austausch, die Instandhaltung und Reinigung bestimmter Produktkomponenten oder Teile genannt wird, ist die Garantie nur gültig, wenn dieser Zeitplan korrekt eingehalten wurde.

### 3. EINSCHRÄNKUNGEN

---

- 3.1 Die vorliegende Garantie ist nur auf solche Verkäufe anwendbar, die an den Verbraucher durchgeführt wurden. Dabei versteht man unter "Verbraucher" die Person, die das Produkt zu Zwecken ersteht, die nicht in den Bereich seiner beruflichen Tätigkeiten fallen.
- 3.2 Es wird keine Garantie auf den normalen Verschleiß durch Gebrauch des Produktes ausgestellt. Was Teile, Komponenten und/oder Materialien betrifft, die verbraucht werden oder einem Verschleiß unterliegen (z. B. Batterien, Glühbirnen usw.), sind die entsprechenden Verfügungen in der produktbegleitenden Dokumentation des jeweiligen Produktes enthalten.
- 3.3 Die Garantie deckt nicht die Fälle, in denen das Produkt (i) nicht korrekt benutzt wurde; (ii) von dazu nicht autorisierten Personen repariert, instandgehalten oder manipuliert wurde; (iii) mit nicht Originalersatzteilen repariert oder instandgehalten wurde oder (iv) nicht korrekt installiert oder in Betrieb genommen wurde.
- 3.4 Falls der Fehler oder Mangel am Produkt infolge einer unkorrekten Installation oder Inbetriebnahme auftritt, gilt die vorliegende Garantie nur dann, wenn diese Installation oder Inbetriebnahme in der Kaufvertrag des Produktes eingeschlossen war und von dem Verkäufer oder unter Verantwortung des Verkäufers durchgeführt wurde.

**IMPORTANTE:** O manual de instruções que você tem nas mãos contém informação fundamental sobre as medidas de segurança a tomar ao realizar a instalação e a colocação em funcionamento. Por isso, é imprescindível que tanto o instalador como o utilizador leiam as instruções antes de realizar a montagem e a colocação em funcionamento. Guarde este manual para futuras consultas sobre o funcionamento deste aparelho.

Para conseguir um óptimo rendimento do Projector subacqueo standard de leds, é conveniente observar as instruções que se indicam abaixo:

## 1. VERIFIQUE O CONTEÚDO DA EMBALAGEM:

No interior da caixa encontrará os seguintes acessórios:

### Projector piscina Betão

Corpo nicho  
Conjunto projector

### Projector piscina pré-fabricada

Corpo nicho  
2 juntas estanqueidade  
Flange  
Conjunto projector  
Bolsa parafusos: 2 Parafusos DIN 7981 A2 4,8 x 16  
16 Parafusos DIN 966 A2 M-6x24 (1)  
16 Parafusos DIN 7982 5,5 x 25 (2)

- (1) Para projectores com nichos com rosca métrica
- (2) Para projectores com nichos auto-roscentes

## 2. CARACTERÍSTICAS GERAIS:

Este projector foi concebido para ser utilizado totalmente submerso em piscinas de água doce. Trata-se de um aparelho eléctrico da classe III com urna tensão de segurança muito baixa (12 V com corrente alterna).

O projector cumpre o grau de protecção IPX8 (resistência à penetração de pó, aos corpos sólidos e à humidade) com urna profundidade de imersão nominal de 2 m.

Este projector cumpre as normas Internacionais de segurança de aparelhos de iluminação, em especial a norma EN 60598-2-18. APARELHOS DE ILUMINAÇÃO PARTE 2: REQUISITOS ESPECIAIS SECÇÃO 18 APARELHOS DE ILUMINAÇÃO PARA PISCINAS E APLICAÇÕES SIMILARES.

Para sua correcta instalação, a tomada de corrente do projector deverá ter um dispositivo de protecção por corrente residual com uma intensidade máxima de 30 mA. A tensão de alimentação destes projectores deve passar por um transformador isolante de segurança com bobinagem separada.

O fabricante não se responsabiliza em nenhum caso pela montagem, instalação ou colocação em funcionamento, por qualquer manipulação ou incorporação de componentes eléctricos que não tenham sido realizadas nas suas instalações.

## 3. INSTALAÇÃO:

- Não instalar nunca na posição vertical com a lâmpada para baixo. Para iluminar claramente uma piscina recomenda-se a instalação de um projector de a cada 20 m<sup>2</sup> de superfície de água. Em piscinas especialmente profundas, será necessário um projector de a cada 25 m<sup>2</sup> de volume de água.
- A fim de evitar deslumbramentos, os projectores devem ser instalados orientados em sentido contrário à vivenda ou vista habitual da piscina.
- Em caso de utilizar iluminação em piscinas de competição ou de treinamento, os projectores deverão ser instalados nas laterais para evitar o deslumbramento dos nadadores.
- Para evitar o esvaziamento da piscina em caso de substituição da lâmpada, recomenda-se a instalação do projector em lugares acessíveis da borda superior da piscina.
- **Em instalações onde se deseje substituir um foco convencional por um projector de LEDs aproveitando o conjunto de cabos existente, é altamente recomendável utilizar junções subaquáticas de resina. Não é recomendável utilizar silicões para tentar conseguir a estanqueidade no ponto de união dos cabos. O foco não deve ser manipulado em nenhuma hipótese, uma vez que isto implica a perda da garantia.**

Antes de instalar comprobar que o prensa-estopas (n. 28) esteja bem aperlado.

O projector deverá ser colocado na parede da piscina a uns 400-700 mm da superfície da água (Fig 1).

O método de fixação do nicho à parede da piscina varia em função do tipo de projector, para piscina de betão ou para piscina pré-fabricada.

### Piscina betão

Para colocar um projector numa piscina de betão, deve-se encastrar o nicho (n.18) na parede da piscina (Fig.2). Assegure-se de que a saída do cabo do nicho fique situado na parte superior.

### Piscina pré-fabricada

Para colocar um projector numa piscina pré-fabricada, deve-se realizar um orifício circular de 240 mm de diâmetro (Fig. 2).

Colocar o nicho (n. 18) e urna das juntas adesivas (n 19) no lado de fora da piscina. No lado de dentro, colocar a outra junta adesiva e fixar os tres elementos com os dois parafusos DIN 7981 4,8 x 16 (n. 22). (Fig. 3). Assegure-se de que a saída do cabo do nicho fique situado na parte superior.

Para proceder à colocação do flange (n. 21) no lado de dentro da piscina, assegure-se de que as cabeças dos parafusos DIN 7981 4,8 x 16, previamente colocados (n. 22), coincidem com o espaço reservado para eles na parte posterior do flange.

Fixar o flange (n. 21) à parede da piscina com 16 parafusos:

DIN 966 M-6x24 pont. (n. 22) se o nicho for para parafusos de rosca métrica (Fig. 4).

DIN 7982 5,5x25 (n. 22) se o nicho for para parafusos auto-roscentes (Fig. 4).

#### 4. MONTAGEM:

Depois de instalar o nicho, e o flange no caso da piscina pré-fabricada, proceda à montagem do projector.

Para ligar o projector à rede eléctrica deverá introduzir o cabo através da porca prensa-estopas (25). Aperte a porca prensa-estopas até se certificar de que o cabo não cederá ao ser puxado com a mão.

Deve-se ter a precaução de deixar 1,5 m de cabo enrolado no nicho do projector (n. 18) para poder extrair o projector até à borda da piscina em caso de manipulado ou de substituição da lâmpada. (Fig. 5).

Introduzir todo o conjunto do projector no nicho (Fig 6). Para obter uma boa iluminação da piscina é importante que o anagrama do anel decorativo (n. 1) fique situado na parte superior (Fig 7).

Enroscar os dois parafusos M-6x80 (n. 2) até que o grampo de fixação fique preso às paredes interiores do nicho (Fig, 8),

#### 5. MANUTENÇÃO:

Este projector não necessita de nenhum tipo de manutenção. Se observar que o projector não funciona correctamente, por favor entre em contacto com o nosso departamento de apoio ao cliente.

É terminantemente proibido manipular o interior do projector. A manipulação do projector anula a garantia

No caso de necessitar retirar o projector da piscina, esta operação só pode ser efectuada por profissionais qualificados para este tipo de trabalho.

Para extrair o projector até à borda da piscina (Fig. 5) deverá afrouxar os 2 parafusos DIN 966 M-6x80 (n. 2) até que o grampo de fixação ceda o suficiente para poder separar o conjunto do projector do nicho.

#### Atenção:

- Antes de qualquer manipulação, assegure-se de que o projector NÃO recebe tensão.

#### 6. SISTEMAS DE CONTROLO DOS PROJECTORES DE LEDS:

O controlo dos projectores de LEDS pode ser realizado de duas formas: através de um botão normalmente fechado ou do receptor modulador e/ou do telecomando.

Em ambos os casos, deve assegurar-se de que a lâmpada não recebe em nenhuma hipótese uma tensão superior a 12 V.

O projector só deve funcionar submerso e fixado às paredes verticais da piscina. O foco integra uma protecção térmica que reduz o nível de iluminação, no caso de uma temperatura excessiva, para evitar sobreaquecimentos.

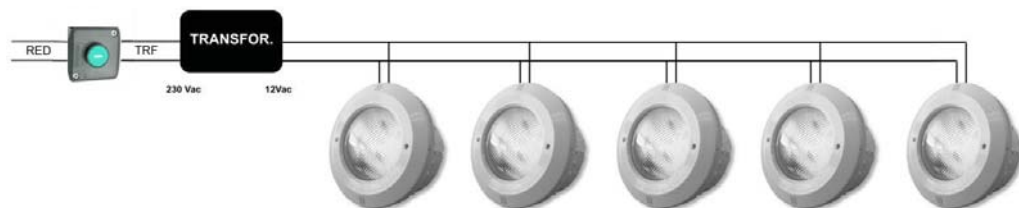
##### 6.1. Colorplus ECO: controlo através do botão

O sistema dispõe de **14 modos de funcionamento: 7 cores fixas e 7 sequências de cores diferentes** (consultar ponto 6.1.2). Pressionando e soltando o botão, efectuamos uma mudança de cor ou de sequência. Mantendo o botão pressionado durante uns segundos, situamos o/s projector/es na cor branca.

##### 6.1.1 Diagrama das ligações eléctricas

O sistema Colorplus ECO é composto por projector/es, transformador e botão normalmente fechado (NC).

O transformador deverá estar dimensionado para fornecer 45VA por cada foco de leds ligado. Por exemplo, para controlar 6 focos devemos ligá-los em paralelo a um transformador de no mínimo 270VA. O botão deverá estar dimensionado para suportar a potência consumida pelo número de projectores da instalação.



##### 6.1.2. Modos de funcionamento

O conjunto Color Plus Basic permite criar diversos cenários luminosos no interior da piscina com duas possibilidades de funcionamento:

**Cor fixa:** Selecção de uma cor fixa entre as sete cores possíveis.

Nº DE COLOR	% VERMELHO	% AZUL	% VERDE	COLOR
1	100	100	100	Branco
2	100	0	0	Vermelho
3	0	100	0	Azul
4	0	0	100	Verde
5	100	100	0	Púrpura
6	0	100	100	Ciano
7	100	0	100	Amarelo

**Seqüência de cores automática:** Selecção dos nove programas de seqüência de cores. Cada programa vem definido pelo tempo de presença de cada cor e pela duração da transição de uma cor para outra, de acordo com a tabela abaixo:

SEQÜÊNCIA	ORDEM DAS COLORES						TEMPORIZAÇÃO DA COLORES (SEG.)	TEMPORIZAÇÃO DA MISTURA (SEG.)
1	Vermelho	Azul	Verde	Púrpura	Ciano	Amarelo	2	2
2	Vermelho	Verde	Ciano	Azul	Púrpura	Amarelo	4	4
3	Púrpura	Ciano	Amarelo	-	-	-	4	4
4	Vermelho	Azul	Verde	-	-	-	8	8
5	Púrpura	Ciano	Amarelo	-	-	-	18	18
6	Amarelo	Púrpura	Ciano	-	-	-	0,5	0,5
7	Verde	Vermelho	Azul	-	-	-	0,5	0,5

Cada vez que pressionamos o botão, efectuamos uma mudança de cor ou de seqüência. O ciclo de cores e de seqüências é rotativo. Se temos por exemplo a cor 5, a próxima vez que pressionarmos o botão obteremos a cor 6; se voltarmos a pressionar, obteremos a seqüência 7. Estando na seqüência 7, pressionando novamente o botão, obteremos a cor 2 que corresponde ao vermelho.

A cor 1 corresponde ao branco e pode ser obtida mantendo o botão pressionado alguns segundos.

## 6.2. Colorplus TOP: controlo através do Receptor-Modulador e/ou do Telecomando

O sistema dispõe de **21 modos de funcionamento: 12 cores fixas e 9 seqüências de cores diferentes** (consultar ponto 6.2.2).

Através do Receptor-Modulador podemos acender e apagar os focos, controlar as mudanças de cores e de seqüências e controlar um temporizador de desligamento.

Se dispôr de telecomando, para além de realizar as funções do receptor-modulador, o telecomando permite activar ou desactivar a presença das cores que compõem uma seqüência e seleccionar o tempo de funcionamento do temporizador.

### 6.2.1 Diagrama das ligações eléctricas

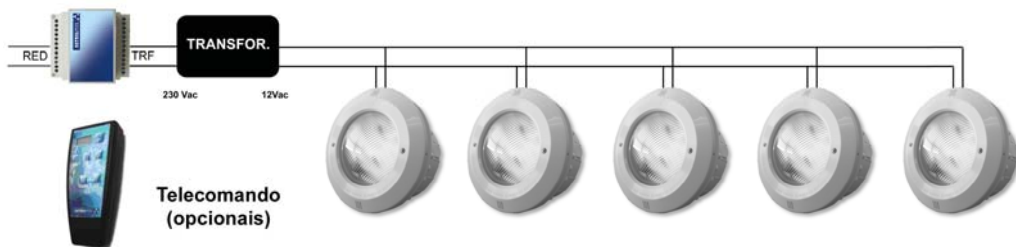
Para uma correcta instalação, necessitará do Receptor-Modulador, do transformador e do foco de leds. Opcionalmente, este sistema pode ser controlado por Telecomando. Para mais informações sobre a instalação do Receptor-Modulador, consulte o capítulo 6.2.3. O ponto 6.2.4 contém informações sobre o Telecomando.

Ligue o Receptor-Modulador à rede eléctrica de 230 Vac, através dos dois bornes indicados como RED, e também ao primário do transformador (230 Vac), através dos bornes indicados com TRF (ver diagrama anexo).

Cada Receptor-Modulador, pode controlar até um máximo de cinco projectores.

O transformador deverá ter a potência necessária para fornecer 45 VA a cada foco de leds instalado. Por exemplo, para controlar 5 focos, deverá ligá-los em paralelo a um transformador de no mínimo 270VA.

**Cada Receptor-Modulador pode controlar até no máximo 15 focos de LEDs.**



Depois de efectuar a ligação eléctrica, siga os passos descritos abaixo para ligá-lo pela primeira vez:

- Fornecer alimentação ao conjunto activando 230 Vac. na entrada do Receptor-Modulador para que ele se sintonize de forma automática com o transformador. O led verde do Receptor-Modulador piscará em intervalos de 2 segundos e o foco permanecerá apagado.
- **Activar o Telecomando**
  - o Pressione durante uns segundos a tecla OFF do Receptor-Modulador, o led verde piscará de forma rápida indicando que se encontra no modo Aprendizagem.
  - o Ligue o Telecomando e pressione qualquer tecla. Se dispuser de vários Telecomandos, repita a operação com cada telecomando para que o Receptor- Modulador possa reconhecer a activação de todos eles, no máximo oito.

### 6.2.2 Tipos de iluminação

O conjunto **Telecomando – Receptor / Modulador – Transformador - Projector de leds** permite criar diversos cenários luminosos no interior da piscina com duas possibilidades de funcionamento:

**Cor fixa:** Selecção de uma cor fixa entre as doze cores possíveis.

Nº DE COLOR	% VERMELHO	% AZUL	% VERDE	COLOR
1	100	0	0	Vermelho
2	0	100	0	Azul
3	0	0	100	Verde
4	100	50	0	Magenta
5	100	0	50	Amarelo claro
6	0	100	50	Ciano-azulado
7	0	50	100	Ciano-esverdeado
8	100	100	0	Púrpura
9	0	100	100	Ciano
10	100	0	100	Amarelo
11	100	100	50	Branco-azulado
12	100	50	100	Branco-esverdeado

**Sequência de cores automática:** Selecção dos nove programas de sequência de cores. Cada programa vem definido pelo tempo de presença de cada cor e pela duração da transição de uma cor para outra, de acordo com a tabela abaixo:

SEQUÊNCIA	TEMPORIZAÇÃO DA COLORES (SEG.)	TEMPORIZAÇÃO DA MISTURA (SEG.)
1	4	1
2	8	8
3	15	4
4	15	15
5	30	8
6	30	30
7	60	15
8	60	60
9	120	60

Por exemplo, o programa 5 indica que cada cor permanece durante 30 segundos. Dos 30 segundos, 22 apresentam uma cor fixa e 8 são empregues para efectuar a transição para a cor seguinte. O programa 8 indica que os 60 segundos correspondentes a cada cor são utilizados para efectuar a transição para a cor seguinte.

As cores que farão parte da sequência podem ser seleccionadas entre as 12 cores fixas. Para incluir uma cor na sequência, siga os passos descritos abaixo:

- Pressione a tecla COR do telecomando. No visor aparece o número da cor seleccionada precedido pela letra "C".
- Pressione a tecla de ACTIVAÇÃO. A letra "C" passará de maiúscula para minúscula e vice-versa.
- As cores que forem activadas com a letra "C" maiúscula serão as que farão parte da sequência.

NOTA: O foco integra uma protecção térmica que, no caso de uma temperatura excessiva, reduz o nível de iluminação para evitar sobreaquecimentos.

### **6.2.3 Receptor-modulador (cód. 27818)**

Instale o Receptor-Modulador protegido de ambientes corrosivos, fora de caixas metálicas e longe de tubos metálicas ou de cabos eléctricos que possam bloquear o sinal de radiofrequência proveniente do telecomando.

#### **Funcionamento dos Botões:**

##### **OFF:**

- Para apagar o foco.
- Pressionando-o durante uns segundos (com o foco aceso ou apagado), o receptor entra no modo de "Aprendizagem" que permite a activação do telecomando ao pressionar uma vez qualquer tecla do telecomando. (Ver ponto "Colocação em Funcionamento")

##### **ON / COR:**

- Se o foco estiver apagado ou no modo SEQUÊNCIA, acender-se-á no modo COR FIXA (a cor activada será a última cor fixa utilizada)
- Se o foco já se encontrar no modo COR FIXA, cada vez que pressionar este botão, a cor mudará passando pelas 12 cores existentes.

##### **ON / SEQUÊNCIA:**

- Se o foco estiver apagado ou no modo COR FIXA, acender-se-á no modo SEQUÊNCIA. (O programa activado será o último utilizado) (as mudanças do programa ou das cores presentes na sequência devem ser efectuadas através do telecomando)

##### **ON / TIMER:**

- Se o foco estiver apagado, acender-se-á no último modo de funcionamento utilizado e a função TIMER será activada, apagando o foco automaticamente após o tempo predeterminado através do telecomando (as mudanças da temporização devem ser efectuadas através do telecomando).
- Se o foco estiver no modo COR FIXA ou SEQUÊNCIA, a função TIMER será activada.



**NOTA: O Telecomando deve permanecer apagado quando estiver a utilizar os botões do Receptor-Modulador.**

**LED indicador:** Observando o funcionamento do led vermelho do Receptor – Modulador, podemos determinar o estado de funcionamento do foco:

- |                                    |                                       |
|------------------------------------|---------------------------------------|
| • Led apagado:                     | Não há alimentação eléctrica.         |
| • A piscar em intervalos de 2 seg. | Foco com os leds apagados.            |
| • Led aceso fixo:                  | Foco no modo COR FIXA ou SEQUÊNCIA.   |
| • A piscar de forma lenta:         | Função TIMER activada.                |
| • A piscar de forma rápida:        | Modo APRENDIZAGEM.                    |
| • A piscar durante 2 seg.          | Recepção de uma ordem do telecomando. |

#### 6.2.4 Telecomando (cód. 27817)

Características Técnicas:	Frequência de Funcionamento:	433 MHz
	Alcance em campo aberto:	50 m
	Pilha:	9 Vdc tipo 6LR61.

#### **Descrição do Teclado:**

**Tecla ON / OFF:** Se o telecomando estiver desligado, ligar-se-á enviando a última ordem executada. Se estiver ligado, desligar-se-á sem apagar o foco. Se permanecer mais de um minuto sem pressionar nenhuma tecla, o telecomando será desligado.

**Tecla COL (COR):** Activa o modo COR FIXA. Pressionado repetidamente poderá seleccionar uma cor da seguinte tabela:

No visor aparecerá: C01, C02 .....C12 consoante a cor seleccionada.

**Tecla SEC (SEQUÊNCIA):** Activa o MODO SEQUÊNCIA e permite seleccionar um dos nove programas existentes. Cada programa está definido por uma temporização que determina o tempo de permanência da cor e outra temporização que determina o tempo da mistura e transição para a seguinte cor.

No visor aparecerá: P-1, P-2 .....P-9 consoante o programa seleccionado.

**Tecla ACT (ACTIVADOR DA COR):** Activa ou desactiva a presença das cores que compõem a sequência. O número máximo de cores permitido na sequência é 12. Se não quiser que alguma dessas cores façam parte da sequência, poderá desactivá-la através desta tecla.

Quando a cor está activada, aparece no visor com a letra C maiúscula, e quando está desactivada aparece com a letra c minúscula. Exemplo: C05 (activado) ou c05 (desactivado).

**Tecla TIMER (APAGAMENTO AUTOMÁTICO):** Activa o temporizador de apagamento automático. Cada vez que pressionar esta tecla, aparecerá no visor o tempo que resta para que se apague (15, 30, 60, 90, 120 e 180 minutos.) Poderá desactivar o apagamento automático, apagando o foco com a tecla OFF.

Ao activar o TIMER, o foco apaga-se durante um segundo confirmando a activação.

Serve para apagar o foco. O telecomando desligar-se-á simultaneamente.

**NOTA: As ordens do telecomando prevalecem sobre as ordens do Modulador-Receptor.**

#### **7. ADVERTENCIAS DE SEGURANZA:**

- As pessoas que se encarreguem da montagem devem ter a qualificação exigida para este tipo de trabalho.
- Dever-se-á evitar entrar em contacto com a tensão eléctrica.
- As normas vigentes para a prevenção de acidentes devem ser respeitadas.
- A esse respeito, dever-se-ao cumprir as normas IEC 364-7-702: **INSTALAÇÕES ELÉCTRICAS EM EDIFÍCIOS. INSTALAÇÕES ESPECIAIS PISCINAS.**
- Qualquer operação de manutenção ou de substituição de peças deve ser realizada com o projector desligado da rede.
- Não manipular com os pés molhados.

#### **8. INFORMAÇÃO AMBIENTAL**

Tratamento dos equipamentos eléctricos e electrónicos em fim de vida útil (Só aplicável na UE)



Os nossos produtos são concebidos e fabricados com materiais e componentes de alta qualidade, respeitadores do ambiente, que podem ser reutilizados e reciclados. Este símbolo, impresso no seu equipamento ou embalagem, indica que o equipamento não pode ser tratado como um resíduo doméstico normal. Deve entregá-lo ao técnico que realize a instalação do novo equipamento ou depositá-lo nos pontos de recolha destinados a equipamentos eléctricos e electrónicos. A gestão da reciclagem deste equipamento é totalmente gratuita para si, e ao separar este equipamento dos demais resíduos está a contribuir para evitar consequências negativas para o ambiente e para a saúde das pessoas, evitando uma manipulação incorrecta. Ajude-nos a preservar o Ambiente, obrigado.

Para receber informações detalhadas de como realizar a desmontagem correcta deste equipamento para a respectiva reciclagem, entre em contacto connosco através de [quality@sacopa.com](mailto:quality@sacopa.com)



# CERTIFICADO DE GARANTIA

## 1. CONDIÇÕES GERAIS

---

- 1.1 De acordo com estas disposições, o vendedor garante que, no momento da entrega, o produto Astral correspondente a esta garantia (Gerador de Fibra Óptica) não apresenta nenhum tipo de falta de conformidade.
- 1.2 O Período de Garantia para o Produto é de dois (2) anos, contados a partir da data de entrega ao comprador.
- 1.3 Se, durante o Período de Garantia, o comprador notificar ao vendedor alguma falta de conformidade do Produto, o vendedor deverá reparar ou substituir o Produto por sua conta no lugar onde considerar conveniente, salvo se isso for impossível ou desmesurado.
- 1.4 Quando não for possível reparar ou substituir o Produto, o comprador poderá solicitar uma redução proporcional do preço ou, se a falta de conformidade for o suficientemente grave, a rescisão do contrato de venda.
- 1.5 As partes substituídas ou reparadas em virtude desta garantia não ampliarão o período de garantia do Produto original, mas disporão da sua própria garantia.
- 1.6 Para que a presente garantia tenha efeito, o comprador deverá apresentar o comprovante da data de compra e de entrega do Produto.
- 1.7 Se o comprador alegar uma falta de conformidade do Produto, passados mais de seis meses da data de entrega do mesmo, deverá demonstrar a origem e a existência do defeito alegado.
- 1.8 O presente Certificado de Garantia não limita nem afecta os direitos dos consumidores derivados das normas nacionais de carácter imperativo.

## 2. CONDIÇÕES PARTICULARES

---

- 2.1 A presente garantia cobre os seguintes produtos e famílias de produtos Astral: Geradores de Fibra Óptica.
- 2.2 O presente Certificado de Garantia só será aplicável nos países da União Europeia.
- 2.3 Para a eficácia desta garantia, o comprador deverá seguir rigorosamente as indicações do Fabricante contidas na documentação fornecida com o Produto, quando a mesma for aplicável em função da gama e do modelo do Produto.
- 2.4 No caso de se estabelecer um calendário para a substituição, manutenção ou limpeza de determinadas peças ou componentes do Produto, a garantia só será válida se o citado calendário tiver sido cumprido rigorosamente.

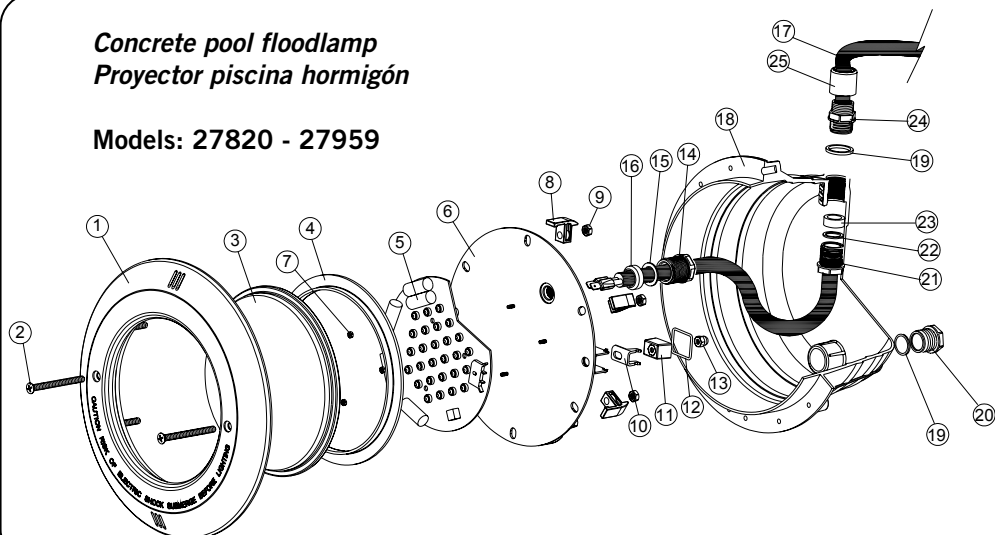
## 3. LIMITAÇÕES

---

- 3.1 A presente garantia só será válida para as vendas realizadas a consumidores, entendendo-se por "consumidor" a pessoa que comprar o Produto com fins não abrangidos no âmbito da sua actividade profissional.
- 3.2 A garantia não cobre o desgaste normal derivado do uso do produto. Em relação às peças, componentes e/ou materiais fungíveis ou consumíveis como pilhas, lâmpadas etc., terá efeito o disposto na documentação fornecida com o Produto, em cada caso.
- 3.3 A garantia não abrange as seguintes situações: (I) se o Produto tiver sido objecto de um uso incorrecto; (II) tiver sido reparado, sofrido manutenção ou manipulado por pessoas não autorizadas; (III) tiver sido reparado ou as suas peças substituídas por peças não originais ou (IV) tiver sido instalado ou colocado em funcionamento de forma incorrecta.
- 3.4 Quando a falta de conformidade do Produto for consequência de uma instalação ou colocação em funcionamento incorrecta, a presente garantia só será válida se a referida instalação ou colocação em funcionamento estiver incluída no contrato de compra-venda do Produto e tiver sido realizada pelo vendedor ou sob sua responsabilidade.

## Concrete pool floodlamp Projector piscina hormigón

Models: 27820 - 27959



### ENGLISH

ID.	CODE	DESCRIPTION	Q	ID.	CODE	DESCRIPTION	Q
1	27900R0300	White decorative ring	1	13	7012306000	Nut DIN 1587 M-6	2
1	07837R0100	Rustproof decorative ring(1)	1	14	07838R0005	Gland seal nut	1
2	7013106080	Screw DIN 966 M-6x80	2	15	00352R0013	Plastic washer	1
3	10501R0101	Clear lens	1	16	07838R0009	Gland seal joint	1
4	10501R0102	Silicone gasket	1	17	27900R0006	Electrical cable H07 RN-F 2,5m	1
5	27900R0100	Electronic plaque	1	18	07838R0006	Floodlamp housing	1
6	27900R0500	LED bracket	1	19	07838R0012	Gland seal body butt joint	2
7	7012103000	Nut DIN 934 M-3	3	20	07838R0008	Housing plug	1
8	00352R0005	Fastening clip	6	21	07838R0005	Gland seal nut	1
9	7012106000	Nut DIN 934 M-6	6	22	00352R0013	Plastic washer	1
10	07831R0003	Fastening dog	2	23	07838R0009	Gland seal joint	1
11	07831R0002	Fastening wedge	2	24	07838R0007	Gland seal body	1
12	7710240020	O-ring 24x2	2	25	10892R0404	M-25 Socket	1

(1) Model 27959

### FRANÇAIS

ID.	CODE	DESCRIPTION	C	ID.	CODE	DESCRIPTION	C
1	27900R0300	Anneau enjoliver blanc	1	13	7012306000	Écrou DIN 1587 M-6	2
1	07837R0100	Anneau enjoliver inox. (1)	1	14	07838R0005	Écrou presse-étoupe	1
2	7013106080	Vis DIN 966 M-6x80	2	15	00352R0013	Rondelle plastique	1
3	10501R0101	Lentille transparente	1	16	07838R0009	Joint presse-étoupe	1
4	10501R0102	Joint lentille projecteur	1	17	27900R0006	Câble H07 RN-F 2,5m	1
5	27900R0100	Plaque électronique	1	18	07838R0006	Niche projecteur	1
6	27900R0500	Support de voyants	1	19	07838R0012	Joint plat corps presse-étoupe	2
7	7012103000	Écrou DIN 934 M-3	3	20	07838R0008	Bouchon niche	1
8	00352R0005	Clip fixation	6	21	07838R0005	Écrou presse-étoupe	1
9	7012106000	Écrou DIN 934 M-6	6	22	00352R0013	Rondelle plastique	1
10	07831R0003	Crampon fixation	2	23	07838R0009	Joint presse-étoupe	1
11	07831R0002	Coin fixation	2	24	07838R0007	Corps presse-étoupe	1
12	7710240020	Joint torique 24x2	2	25	10892R0404	Raccord M-25	1

(1) Modèle 27959

## ESPAÑOL

ID.	CÓDIGO	DESCRIPCIÓN	C	ID.	CÓDIGO	DESCRIPCIÓN	C
1	27900R0300	Anillo embellecedor blanco	1	13	7012306000	Tuerca DIN 1587 M-6	2
1	07837R0100	Anillo embellecedor inox (1)	1	14	07838R0005	Tuerca prensaestopas	1
2	7013106080	Tornillo DIN 966 M-6x80	2	15	00352R0013	Arandela plástico	1
3	10501R0101	Lente transparente	1	16	07838R0009	Junta prensaestopas	1
4	10501R0102	Junta lente	1	17	27900R0006	Cable H07 RN-F 2,5m	1
5	27900R0100	Placa electrónica	1	18	07838R0006	Nitxo projector	1
6	27900R0500	Soporte de LEDs	1	19	07838R0012	Junta plana cuerpo prensaestopas	2
7	7012103000	Tuerca DIN 934 M-3	3	20	07838R0008	Tapón nicho	1
8	00352R0005	Clip fijación	6	21	07838R0005	Tuerca prensaestopas	1
9	7012106000	Tuerca DIN 934 M-6	6	22	00352R0013	Arandela plástico	1
10	07831R0003	Grapa fijación	2	23	07838R0009	Junta prensaestopas	1
11	07831R0002	Cuña fijación	2	24	07838R0007	Cuerpo prensaestopas	1
12	7710240020	Junta tórica 24x2	2	25	10892R0404	Manguito M-25	1

(1) Modelo 27959

## ITALIANO

ID.	CODICE	DESCRIZIONE	Q	ID.	CODICE	DESCRIZIONE	Q
1	27900R0300	Anello ornamentale bianco	1	13	7012306000	Dado DIN 1587 M-6	2
1	07837R0100	Anello ornamentale inos. (1)	1	14	07838R0005	Dado premistoppa	1
2	7013106080	Tornillo DIN 966 M-6x80	2	15	00352R0013	Rondella plastica	1
3	10501R0101	Lente trasparente	1	16	07838R0009	Guarnizione premistoppa	1
4	10501R0102	Guarnizione lente proiettore	1	17	27900R0006	Cavo H07 RN-F 2,5m	1
5	27900R0100	Placca elettronica	1	18	07838R0006	Nicchia proiettore	1
6	27900R0500	Supporto LED	1	19	07838R0012	Guarnizione piatta corpo premistoppa	2
7	7012103000	Dado DIN 934 M-3	3	20	07838R0008	Corpechio nicchia	1
8	00352R0005	Clip fissaggio	6	21	07838R0005	Dado premistoppa	1
9	7012106000	Dado DIN 934 M-6	6	22	00352R0013	Rondella plastica	1
10	07831R0003	Graffa fissaggio	2	23	07838R0009	Guarnizione premistoppa	1
11	07831R0002	Cuneo fissaggio	2	24	07838R0007	Corpo premistoppa	1
12	7710240020	Guarnizione torica 24x2	2	25	10892R0404	Manicotto M-25	1

(1) Modelli 27959

## DEUTSCH

ID.	ARTIKEL N°	BESCHREIBUNG	M	ID.	ARTIKEL N°	BESCHREIBUNG	M
1	27900R0300	Verzierungsring wieB	1	13	7012306000	Mutter DIN 1587 M-6	2
1	07837R0100	Verzierungsring rostfrei (1)	1	14	07838R0005	Schraube Stopfbuchse	1
2	7013106080	Schraube DIN 966 M-6x80	2	15	00352R0013	Unterlegscheibe aus Plastik	1
3	10501R0101	Durchsichtige Linse	1	16	07838R0009	Dichtung Stopfbuchse	1
4	10501R0102	Silikonedichtung	1	17	27900R0006	Elektrokabel H07 RN-F 2,5m	1
5	27900R0100	Festplatte	1	18	07838R0006	Nische Standardstrahler	1
6	27900R0500	Träger der LEDs	1	19	07838R0012	Flache Dichtung Stopfbuchsenkörper	2
7	7012103000	Mutter DIN 934 M-3	3	20	07838R0008	Deckel Nische	1
8	00352R0005	Befestigungsklipp	6	21	07838R0005	Schraube Stopfbuchse	1
9	7012106000	Mutter DIN 934 M-6	6	22	00352R0013	Unterlegscheibe aus Plastik	1
10	07831R0003	Befestigungsklammer	2	23	07838R0009	Dichtung Stopfbuchse	1
11	07831R0002	Befestigungskeil	2	24	07838R0007	Stopfbuchsenkörper	1
12	7710240020	Rundringdichtung 24x2	2	25	10892R0404	Quetschverschraubung M-25	1

(1) Modelle 27959

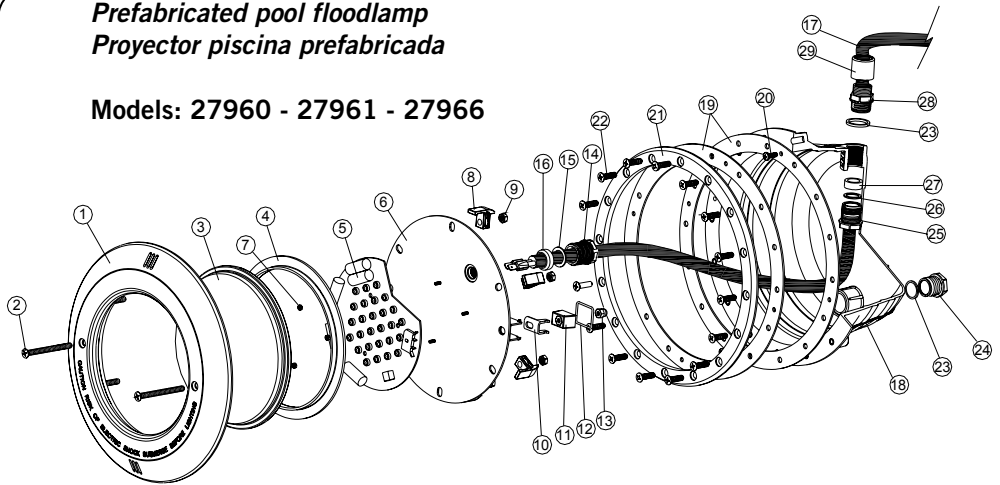
## PORTUGUES

ID.	CÓDIGO	DESCRIÇÃO	C	ID.	CÓDIGO	DESCRIÇÃO	C
1	27900R0300	Anel decorativo branco	1	13	7012306000	Porca DIN 1587 M-6	2
1	07837R0100	Anel decorativo inoxidável(1)	1	14	07838R0005	Porca prensa-estopas	1
2	7013106080	Parafuso DIN 966 M-6x80	2	15	00352R0013	Arandela plástico	1
3	10501R0101	Lente transparente	1	16	07838R0009	Junta prensa-estopas	1
4	10501R0102	Junta lente projector	1	17	27900R0006	Cabo H07 RN-F 2,5m	1
5	27900R0100	Circuito electrónica	1	18	07838R0006	Nitxo projector	1
6	27900R0500	Suporte de LEDs	1	19	07838R0012	Junta plana corpo prensa-estopas	2
7	7012103000	Porca DIN 934 M-3	3	20	07838R0008	Tampao nicho	1
8	00352R0005	Clipe fixação	6	21	07838R0005	Porca prensa-estopas	1
9	7012106000	Porca DIN 934 M-6	6	22	00352R0013	Arandela plástico	1
10	07831R0003	Grampo fixação	2	23	07838R0009	Junta prensa-estopas	1
11	07831R0002	Cunha fixação	2	24	07838R0007	Corpo prensa-estopas	1
12	7710240020	Junta tórica 24x2	2	25	10892R0404	Uniao M-25	1

(1) Modelo 27959

# Prefabricated pool floodlamp Projector piscina prefabricada

Models: 27960 - 27961 - 27966



## ENGLISH

ID.	CODICE	DESCRIPTION	Q	ID.	CÓDIGO	DESCRIPTION	Q
1	27900R0300	White decorative ring	1	16	07838R0009	Gland seal joint	1
1	07837R0100	Rustproof decorative ring(1)	1	17	27900R0006	Electrical cable H07 RN-F 2,5m	1
2	7013106080	DIN 966 M-6x80 screw	2	18	07667R0100	Floodlamp housing	1
3	10501R0101	Clear lens	1	18	21079R0001	Self-threading housing (2)	1
4	10501R0102	Silicone gasket	1	19	00346R0001	Adhesive joint	2
5	27900R0100	Electronic plaque	1	20	7011448016	DIN 7981 4,8x16 screw	2
6	27900R0500	LED bracket	1	21	00365R0001	Housing clamp	1
7	7012103000	Nut DIN 934 M-3	3	22	00274R0004	DIN 966 M-6x24 screw	16
8	00352R0005	Fastening clip	6	22	7011555025	DIN 7982 5,5x25 (2) screw	16
9	7012106000	Nut DIN 934 M-6	6	23	00352R0010	Gland seal body butt joint	2
10	07831R0003	Fastening dog	2	24	07838R0012	Housing plug	1
11	07831R0002	Fastening wedge	2	25	07838R0008	Gland seal nut	1
12	7710240020	O-ring 24x2	2	26	07838R0005	Plastic washer	1
13	7012306000	Nut DIN 1587 M-6	2	27	00352R0013	Gland seal joint	1
14	07838R0005	Gland seal nut	1	28	07838R0009	Gland seal body	1
15	00352R0013	Plastic washer	1	29	10892R0404	M-25 Socket	1

(1) Model 27961

(2) Model 27966

## FRAÇAIS

ID.	CODICE	DESCRIPTION	C	ID.	CODICE	DESCRIPTION	C
1	27900R0300	Anneau enjoliver blanc	1	16	07838R0009	Joint presse-étoupe	1
1	07837R0100	Anneau enjoliver inox. (1)	1	17	27900R0006	Câble H07 RN-F 2,5m	1
2	7013106080	Vis DIN 966 M-6x80	2	18	07667R0100	Niche projecteur	1
3	10501R0101	Lentille transparente	1	18	21079R0001	Niche à autovissage (2)	1
4	10501R0102	Joint lentille projecteur	1	19	00346R0001	Joint adhésif	2
5	27900R0100	Plaque électronique	1	20	7011448016	Vis DIN 7981 4,8x16	2
6	27900R0500	Support de voyants	1	21	00365R0001	Bride niche	1
7	7012103000	Écrou DIN 934 M-3	3	22	00274R0004	Vis DIN 966 M-6x24	16
8	00352R0005	Clip fixation	6	22	7011555025	Vis DIN 7982 5,5x25 (2)	16
9	7012106000	Écrou DIN 934 M-6	6	23	07838R0012	Joint plat corps presse-étoupe	2
10	07831R0003	Crampon fixation	2	24	07838R0008	Bouchon niche	1
11	07831R0002	Coin fixation	2	25	07838R0005	Écrou presse-étoupe	1
12	7710240020	Joint torique 24x2	2	26	00352R0013	Rondelle plastique	1
13	7012306000	Écrou DIN 1587 M-6	2	27	07838R0009	Joint presse-étoupes	1
14	07838R0005	Écrou presse-étoupe	1	28	07838R0007	Corps presse-étoupe	1
15	00352R0013	Rondelle plastique	1	29	10892R0404	Raccord M-25	1

(1) Modèle 27961

(2) Modèle 27966

**ESPAÑOL**

ID.	CÓDIGO	DESCRIPCIÓN	C	ID.	CÓDIGO	DESCRIPCIÓN	C
1	27900R0300	Anillo embellecedor	1	16	07838R0009	Junta prensaestapas	1
1	07837R0100	Anillo embellecedor (1)	1	17	27900R0006	Cable H07 RN-F 2,5m	1
2	7013106080	Tornillo DIN 966 M-6x80	2	18	07667R0100	Nicho proyector	1
3	10501R0101	Lente transparente	1	18	21079R0001	Nicho proyector autorroscá (2)	1
4	10501R0102	Junta lente	1	19	00346R0001	Junta adhesiva	2
5	27900R0100	Placa electrónica	1	20	7011448016	Tornillo DIN 7981 4,8x16	2
6	27900R0500	Soporte de LEDS	1	21	00365R0001	Brida nicho	1
7	7012103000	Tuerca DIN 934 M-3	3	22	00274R0004	Tornillo DIN 966 M-6x24	16
8	00352R0005	Clip fijación	6	22	7011555025	Tornillo DIN 7982 5,5x25 (2)	16
9	7012106000	Tuerca DIN 934 M-6	6	23	07838R0012	Junta plana cuerpo prensaestopas	2
10	07831R0003	Grapa fijación	2	24	07838R0008	Tapón nicho	1
11	07831R0002	Cuña fijación	2	25	07838R0005	Tuerca prensaestopas	1
12	7710240020	Junta tórica 24x2	2	26	00352R0013	Arandela plástico	1
13	7012306000	Tuerca DIN 1587 M-6	2	27	07838R0009	Junta prensaestopas	1
14	07838R0005	Tuerca prensaestopas	1	28	07838R0007	Cuerpo prensaestopas	1
15	00352R0013	Arandela plástico	1	29	10892R0404	Manguito M-25	1

(1) Modelo 27961

(2) Modelo 27966

**ITALIANO**

ID.	CODICE	DESCRIZIONE	Q	ID.	CODICE	DESCRIZIONE	Q
1	27900R0300	Anello ornamentale bianco	1	16	07838R0009	Guarnizione premistoppa	1
1	07837R0100	Anello ornamentale inos. (1)	1	17	27900R0006	Cavo H07 RN-F 2,5m	1
2	7013106080	Vite DIN 966 M-6x80	2	18	07667R0100	Nicchia proiettore	1
3	10501R0101	Lente trasparente	1	18	21079R0001	Nicchia autofilettante (2)	1
4	10501R0102	Guarnizione lente proiettore	1	19	00346R0001	Guarnizione adesiva	2
5	27900R0100	Placca elettronica	1	20	7011448016	Vite DIN 7981 4,8x16	2
6	27900R0500	Supporto LED	1	21	00365R0001	Flangia nicchia	1
7	7012103000	Dado DIN 934 M-3	3	22	00274R0004	Vite DIN 966 M-6x24	16
8	00352R0005	Clip fissaggio	6	22	7011555025	Vite DIN 7982 5,5x25 (2)	16
9	7012106000	Dado DIN 934 M-6	6	23	07838R0012	Guarnizione piatta corpo premistoppa	2
10	07831R0003	Graffa fissaggio	2	24	07838R0008	Corpechio nicchia	1
11	07831R0002	Cuneo fissaggio	2	25	07838R0005	Dado premistoppa	1
12	7710240020	Guarnizione torica 24x2	2	26	00352R0013	Rondella plastica	1
13	7012306000	Dado DIN 1587 M-6	2	27	07838R0009	Guarnizione premistoppa	1
14	07838R0005	Dado premistoppa	1	28	07838R0007	Corpo premistoppa	1
15	00352R0013	Rondella plastica	1	29	10892R0404	Manicotto M-25	1

(1) Modelli 27961

(2) Modelli 27966

**DEUTSCH**

ID.	ARTIKEL N°	BESCHREIBUNG	M	ID.	ARTIKEL N°	BESCHREIBUNG	M
1	27900R0300	Verzierungsring wieB	1	16	07838R0009	Dichtung Stopfbuchse	1
1	07837R0100	Verzierungsring rostfrei (1)	1	17	27900R0006	Electrokabel H07 RN-F 2,5m	1
2	7013106080	Schraube DIN 966 M-6x80	2	18	07667R0100	Nische Standardstrahler	1
3	10501R0101	Durchsichtige Linse	1	18	21079R0001	Selbstschraubender Nische (2)	1
4	10501R0102	Silikonedichtung	1	19	00346R0001	Anhaftende Dichtung	2
5	27900R0100	Festplatte	1	20	7011448016	Schraube DIN 7981 4,8x16	2
6	27900R0500	Träger der LEDS	1	21	00365R0001	Klammer der Nische	1
7	7012103000	Mutter DIN 934 M-3	3	22	00274R0004	Schraube DIN 966 M-6x24	16
8	00352R0005	Befestigungsklipp	6	22	7011555025	Schraube DIN 7982 5,5x25 (2)	16
9	7012106000	Mutter DIN 934 M-6	6	23	07838R0012	Flache Dichtung	2
10	07831R0003	Befestigungsklammer	2	24	07838R0008	Deckel Nische	1
11	07831R0002	Befestigungskeil	2	25	07838R0005	Schraube Stopfbuchse	1
12	7710240020	Rundringdichtung 24x2	2	26	00352R0013	Unterlegscheibe aus Plastik	1
13	7012306000	Mutter DIN 1587 M-6	2	27	07838R0009	Dichtung Stopfbuchse	1
14	07838R0005	Schraube Stopfbuchse	1	28	07838R0007	Stopfbuchsenkörper	1
15	00352R0013	Unterlegscheibe aus Plastik	1	29	10892R0404	Quetschverschraubung M-25	1

(1) Modelle 27961

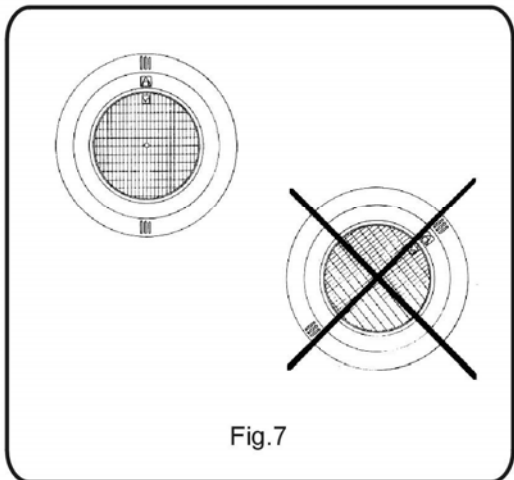
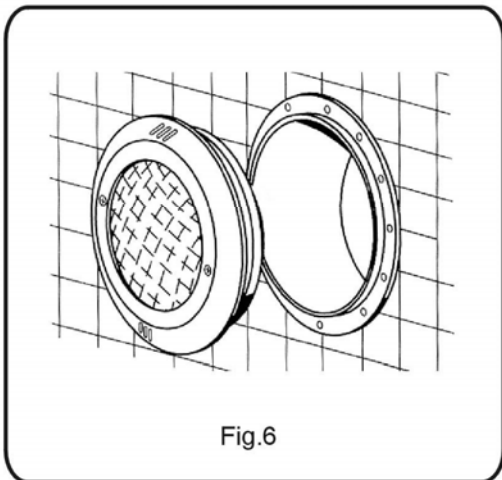
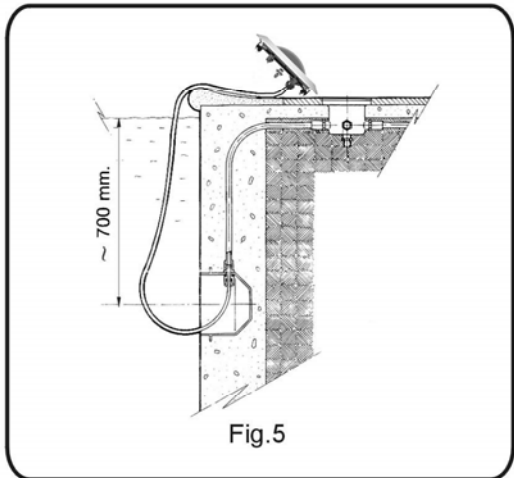
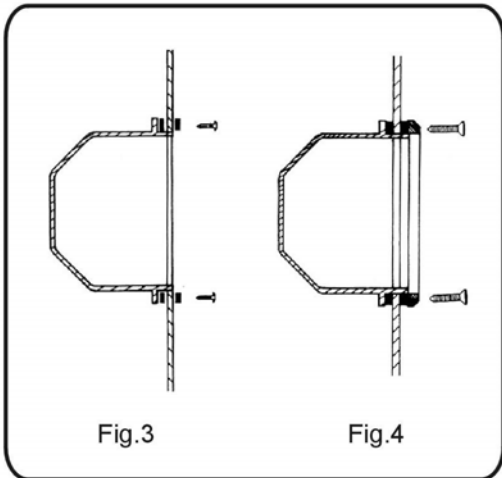
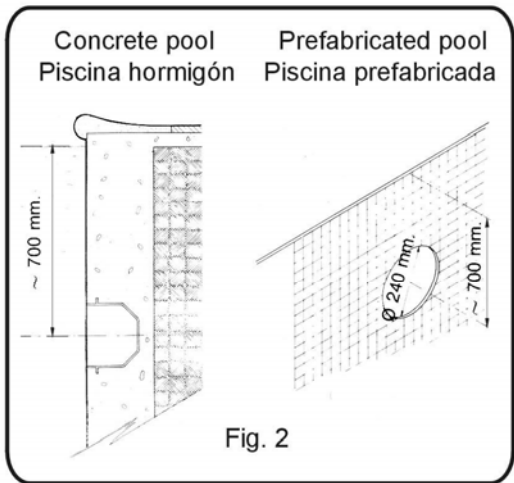
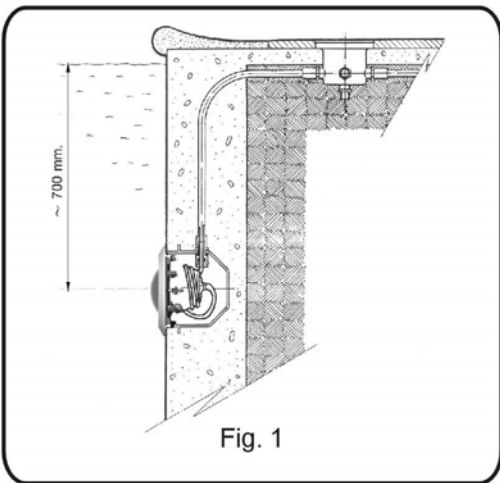
(2) Modelle 27966

**PORTUGUES**

ID.	CÓDIGO	DESCRIÇÃO	C	ID.	CÓDIGO	DESCRIÇÃO	C
1	27900R0300	Anel decorativo branco	1	16	07838R0009	Junta prensa-estopas	1
1	07837R0100	Anel decorativo inoxidável(1)	1	17	27900R0006	Cabo H07 RN-F 2,5m	1
2	7013106080	Parafuso DIN 966 M-6x80	2	18	07667R0100	Nitxo projector	1
3	10501R0101	Lente transparente	1	18	21079R0001	Nicho auto-roscante (2)	1
4	10501R0102	Junta lente projector	1	19	00346R0001	Junta adesiva	2
5	27900R0100	Circuito electrónica	1	20	7011448016	Parafuso DIN 7981 4,8x16	2
6	27900R0500	Suporte de LEDS	1	21	00365R0001	Brida nicho	1
7	7012103000	Porca DIN 934 M-3	3	22	00274R0004	Parafuso DIN 966 M-6x24	16
8	00352R0005	Clipe fixação	6	22	7011555025	Parafuso DIN 7982 5,5x25 (2)	16
9	7012106000	Porca DIN 934 M-6	6	23	07838R0012	Junta plana corpo prensa-estopas	2
10	07831R0003	Grampo fixação	2	24	07838R0008	Tampao nicho	1
11	07831R0002	Cunha fixação	2	25	07838R0005	Porca prensa-estopas	1
12	7710240020	Junta tórica 24x2	2	26	00352R0013	Arandela plástico	1
13	7012306000	Porca DIN 1587 M-6	2	27	07838R0009	Junta prensa-estopas	1
14	07838R0005	Porca prensa-estopas	1	28	07838R0007	Corpo prensa-estopas	1
15	00352R0013	Arandela plástico	1	29	10892R0404	Uniao M-25	1

(1) Modelo 27961

(2) Modelo 27966



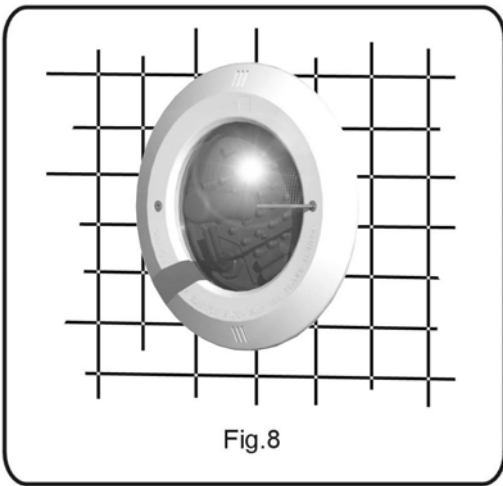
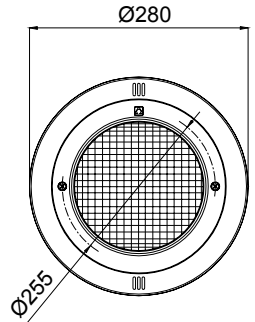
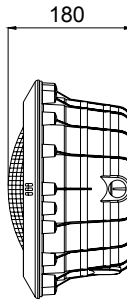


Fig.8

- TECHNICAL CHARACTERISTICS
- CARACTERISTIQUES TECHNIQUES
- CARACTERISTICAS TECNICAS
- DATI TECNICI
- TECHNISCHE ANGABEN
- CARACTERISTICAS TECNICAS



DESCRIPTION	STANDARD
Rated voltage / tension nominale / Tensión nominal Tensione nominale / Anschlussspannung / Tensao nominal	12 V
Current suply / Type de courant / Tipo de corriente / Tipo di corrente Stromtype / Tipo de corrente	AC
Power / Pouvoir / Potencia / Potere / Macht / Poder	45 W
Protection / Protección / Protection / Schutz Protezione / Protectie / Protecção	CLASE III IPX8
TO BE USED ONLY WITH A SECURIY TRANSFORMER / À UTILISER UNIQUEMENT AVEC UN TRANSFORMATEUR DE SECURITÉ / PARA USO EXCLUSIVO CON TRANSFORMADOR DE SEGURIDAD / PER USO ESCLUSIVO CON TRANSFORMATORE DI SICUREZZA / NUR ZUSAMMEN MIT EINEM SICHERHEITSTRANSFORMATOR ZU BENUTZEN / PARA USO EXCLUSIVO COM TRANSFORMADOR DE SEGURANÇA	

ASTRALPOOL  
 Avda. Francesc Macià, 38, planta 16  
 08208 Sabadell (Barcelona) Spain  
[info@astralpool.com](mailto:info@astralpool.com)

Made in EC. Sacopa, S.A.U

P.I. Pla de Poliger, s/n C.P:17854 S. Jaume de Llierca

27820E201-02

- We reserve to change all or part of the articles or contents of this document, without prior notice.
- Nous nous reservons le droit de modifier totalment oru en partie les caracteristiques de nos articles ou le contenu de ce document san pré avis.
- Nos reservamos el derecho de cambiar total o parcialmente las características de nuestros artículos o contenido de este documento sin previo aviso.
- Ci riservamo il dritto di cambiare totalmente o parzialmente le caratteristiche tecniche dei nostri prodotti ed il contenuto di questo documento senza nessun preavviso
- Wir behalten uns das recht vor die eigenschatten unserer produkte oder den inhalt dieses prospektes teilweise oder vollstanding, ohne vorherige benachichtigung zu andern.
- Reservamo-nos no direito de alterar, total ou parcialmente as características dos nossos artigos ou o conteúdo deste documento sem aviso prévio